

ELECTRIC WHEELCHAIRS

User Manual

Swiss
Viva Junior

Swiss
Viva Plus

Swiss
Viva Junior S

Swiss
Viva Grand

Swiss
Viva Grand F

Swiss
Viva Grand M

Swiss
Viva Grand S



SKS  REHAB

Our products are
CE certified.

1. Contents

2.	Document information.....	4
3.	Manufacturer information.....	4
4.	Foreword	5
5.	Intended use	6
5.1.	Medical purpose.....	6
5.2.	Indication	6
5.3.	Contraindication	6
6.	Safety instructions	7
6.1.	Symbol definition.....	7
6.2.	Warnings.....	8
6.3.	Precautionary measures	9
7.	Product information	10
7.1.	Specific product data	10
7.2.	Scope of delivery	10
7.3.	Materials	11
7.4.	Ambient conditions.....	11
7.5.	Swiss VIVA.....	12
7.5.1.	Technical data	13
7.6.	Swiss VIVA PLUS	15
7.6.1.	Technical data	16
7.7.	Swiss VIVA Junior	18
7.7.1.	Technical data	19
7.8.	Swiss VIVA Grand	21
7.8.1.	Technical data	22
7.9.	Swiss VIVA Grand S	24
7.9.1.	Technical data	25
7.10.	Swiss VIVA S.....	27
7.10.1.	Technical data	28
7.11.	Swiss VIVA Grand M	30
7.11.1.	Technical data	31
7.12.	Swiss VIVA Junior S.....	33
7.12.1.	Technical data	34
7.13.	Swiss VIVA Grand S (M).....	36
7.13.1.	Technical data	37
7.14.	Swiss VIVA Grand F	39
7.14.1.	Technical data	40
8.	Driving.....	42
8.1.	Control	42
8.2.	Transfer	43
8.2.1.	From the front.....	43
8.2.2.	From the side	43
8.3.	Driving.....	44
8.4.	Driving on uphill and downhill slopes	45
8.5.	Overcoming obstacles.....	45
8.6.	Driving in vehicles	46
8.7.	Driving with gyro	46
8.8.	Stopping/parking/getting out	46
8.9.	Pushing by hand.....	46
9.	R-Net operation.....	47
9.1.	Control panel CJSM.....	48
9.1.1.	Settings menu CJSM.....	49
9.2.	Control panel CJSM2/Omni2	50

9.2.1.	CJSM2/Omni2 Settings menu	51
9.2.2.	Bluetooth CJSM2/Omni2	52
9.2.3.	Infrared CJSM2/Omni2	56
9.3.	Immobiliser	59
9.3.1.	Activate immobiliser	59
9.3.2.	Deactivating the immobiliser	59
9.4.	Display	60
9.5.	Error messages	61
10.	Batteries/charger	66
10.1.	Loading principles	66
10.2.	Charging time	66
10.3.	Battery capacity	66
10.4.	Charging process	67
10.4.1.	Charging process with internal charger	67
10.4.2.	Charging process with external charger	67
10.5.	Charger	68
11.	Brakes	68
12.	Transport	69
12.1.	Holding points	69
12.2.	Securing the wheelchair	69
12.3.	Securing persons	70
12.3.1.	General	70
12.3.2.	Seat belt positioning using 4-point harness system	71
12.3.3.	Positioning the seat belt using the Dahl docking system	71
13.	Settings	72
14.	Cleaning	72
14.1.	Cleaning	72
14.2.	Disinfection	72
15.	Service/maintenance	73
16.	Troubleshooting	74
17.	Warranty	74
18.	Reuse	74
19.	Waste disposal	74

2. Document information

Date of issue: 2024-02-05
Revision: A
Published by: SKS Rehab AG

These operating instructions are valid for all models listed in the product information.
The content of these operating instructions is intended for the end user.

3. Manufacturer information

SKS Rehab AG
Im Wyden
CH-8762 Schwanden

Tel: +41 55 647 35 85
E-mail: sks@sks-rehab.ch
Web: www.sks-rehab.com

If you have any questions or problems in connection with your product and for further information, please contact your specialist dealer or customer service centre.

4. Foreword

Congratulations on purchasing your new SKS power wheelchair and thank you for the trust you have placed in our product and services.

You have certainly made a good choice by opting for a Swiss product with the well-known high-quality standards.

SKS power wheelchairs combine state-of-the-art technology and solid construction with an attractive, modern design.

Your SKS power wheelchair offers you many adjustment options as standard:

- High comfort
- Individuality
- Disability-friendly applications
- Extensive independence and security

We wish you a safe journey with your power wheelchair from SKS Rehab AG

Your SKS Rehab AG

5. Intended use

5.1. Medical purpose

Your power wheelchair serves as an assistive device to help persons with reduced mobility to get around indoors and outdoors.

The choice and use of the power wheelchair is decided by the doctor or therapist together with the user. The power wheelchair may only be used within the limits set by the doctor or therapist and the SKS consultant.

The main differences between the various models are as follows.

- Dimensions
- Drive type
- Sit/stand functions

For more detailed information, please refer to the technical data.

5.2. Indication

- Inability to walk or severe walking impairment due to:
 - Paralysis
 - Loss of limb mass
 - Limb defect/deformity
 - Joint contractures
 - Other diseases
- Inability to use hand-powered wheelchairs due to disabilities.
- If tasks/activities relevant to everyday life are regularly performed in a protected standing position and no contraindications exist
- For performing prescribed standing training if this cannot be done with other standing aids and if there are no contraindications to performing standing training.
(for example, low bone density, damage to cardio-vascular function, increased spasticity).

5.3. Contraindication

- Severe balance disorders
- Impaired or low vision
- Severe limitations of cognitive capacity
- Standing training: with low bone density only in consultation with medical staff
- Standing training: Impaired cardiovascular function
- Standing training: Increased spasticity

6. Safety instructions

Read and follow all instructions and warnings in all manuals supplied before using the product and accessories. Improper use can lead to injuries and damage to the product. To minimise the risk, you should carefully read all the documentation provided and in particular the safety instructions and warnings. It is essential that you take sufficient time to familiarise yourself with the various setting and control options and functions of your product and its accessories before putting it into operation.

All information, illustrations, drawings and specifications are based on the product information available at the time these operating instructions were prepared. The illustrations and drawings in these operating instructions are representative examples and not an exact representation of the various components.




SKS Rehab AG accepts no liability for damage to property or personal injury resulting from non-compliance with the warnings and instructions in these operating instructions.

SKS Rehab AG is not liable for damage to property or personal injury resulting from improper use.


SKS Rehab AG accepts no liability for inappropriate selection of models, features or improper installations on the wheelchair.


6.1. Symbol definition


The following symbols for warnings, cautions and notes are used throughout the document to emphasise important safety information.


	WARNING
	Symbol for warning
Indicates a hazardous situation which, if not avoided, could result in serious injury or even death as well as damage to the product or property.	
	CAUTION
	Symbol for caution
Indicates a hazardous situation which, if not avoided, could result in minor or moderate injury or damage to the product or property.	
	NOTE
	Symbol for notes
Contains details of the conditions or circumstances under which the listed information applies.	

6.2. Warnings

	WARNING
	Operating instructions
<p>For your own safety, the wheelchair must not be set up, maintained or operated without reading the operating instructions.</p>	

	WARNING
	Payload
<ul style="list-style-type: none"> • The power wheelchair is designed for one person only; carrying passengers or loads is not permitted. • Observe the maximum payload. 	

	WARNING
	Operation
<ul style="list-style-type: none"> • Never use the wheelchair under the influence of alcohol or drugs. • Before getting into or out of the power wheelchair, make sure the control unit is switched off. • Turn off the control unit when you are not using it. • When driving on roads, never drive in standing position. • When driving over obstacles, the anti-tipping wheels may touch down. Make sure you always use a ramp to overcome such height differences. • Always drive in a straight line over slopes, curbs and obstacles. Drive over the obstacle in one go; do not stop in between. If necessary, raise the seat position to avoid grazing the obstacle with the leg rests. • When negotiating obstacles, make sure that the backrest is always adjusted forwards and the seat tilt and seat lift are always adjusted downwards. There is a danger of tipping over! • If an abrupt braking manoeuvre could affect your sitting stability, then wearing a seat belt is recommended. Ask a specialist; they can install the accessories professionally for you. • Avoid obstacles, uneven terrain, and ramps when driving in standing position. There is a real risk of tipping over. In particular, do not drive on ramps while standing because there would be no way of putting on the brakes and the wheelchair could therefore roll down. • Never operate the control unit if it behaves erratically or if it is giving off unusual heat, smoke, or sparks. In such a case, switch off the control unit immediately and contact your specialist dealer without delay. • If your chair is equipped with a gyro, switch to the lowest driving profile when using your chair in vehicles (train, streetcar, bus, etc.). • When driving on roads, the road traffic regulations must be observed. • Make sure that the active and passive lights on the wheelchair are always clearly visible. It is advisable to wear bright, conspicuous clothing while in road traffic in order to be more visible to other road users. • Be aware that the wheelchair can possibly come to a sudden, unexpected stop. 	

	WARNING
	Handling
<ul style="list-style-type: none"> • Do not lean your body over the side panels or over the top of the back. Danger of tipping! • Do not lean forward between your knees, e.g. to pick up an object; otherwise you may slip out of the power wheelchair. • Do not reach for something in front of you if you have to shift forward on the seat to do so. • Always drive up as close as possible to an object in order to reach it. Turn off the control unit and use the reach of your arms to reach the object. 	



WARNING

Risk of jamming

When making adjustments and settings, be aware of the risk of trapping body parts. When making powered adjustments, make sure that no third parties are within the operating range of the wheelchair; this would increase the risk of trapping and injury for the user and third party.



WARNING

EMC

Despite compliance with all applicable EMC directives and standards, it is still possible that the power wheelchair may interfere with or be disturbed by other electrical equipment (e.g. mobile phones). If you notice any behaviour of this kind, turn off either the third-party device or your wheelchair. Have your power wheelchair moved out of range of the source of interference.



WARNING

Cleaning

Never use a water jet or pressure washer for cleaning.

6.3. Precautionary measures



CAUTION

Operation

- The power wheelchair is built for indoor and outdoor use. For indoors, you should select the "Soft" speed level.
- Choose a safe driving program that suits you and your environment.



CAUTION

Mechanics

- Before using the wheelchair, please check that all removable parts are properly attached.
- Always fold up the footplates when getting in and out of the wheelchair, do not use them as a footboard.
- For a model with standing function, please ensure that the knee pads and upper body restraint are correctly positioned and engaged.
- Please note that upholstery parts exposed to direct sunlight can heat up and cause skin injuries when touched. Therefore, cover these parts or protect the wheelchair from sunlight.
- In low temperature conditions, the wheelchair, especially the metal parts, may cool down to chilly temperatures. Be careful not to touch them with bare skin; wear protective clothing if necessary.

7. Product information



NOTE

Product information

All information, illustrations, drawings and specifications are based on the product information available at the time these operating instructions were prepared. The illustrations and drawings in these operating instructions are representative examples and not an exact representation of the various components.

7.1. Specific product data

Model: _____

Chassis number/chassis number: _____

Date of purchase: _____

Specialist dealer: _____

7.2. Scope of delivery

- Electric wheelchair
- Charger
- Operating instructions
- Battery pack
- Optional accessories

7.3. Materials

Chassis: Steel, corrosion-protected powder-coated

Attachments: Aluminium or steel, powder-coated to protect against corrosion

Upholstery: Synthetic leather or heavy spacer (synthetic fibre with 3D spacer fabric)

- biocompatible
- flame retardant

Seat upholstery: Synthetic leather or heavy spacer (synthetic fibre with 3D spacer fabric)


- biocompatible
- flame retardant

Back cushion: Synthetic leather or heavy spacer (synthetic fibre with 3D spacer fabric)

- biocompatible
- flame retardant

Arm pad: Synthetic leather or heavy spacer (synthetic fibre with 3D spacer fabric)

- biocompatible
- flame retardant

	NOTE
	Materials
Specifications may vary depending on version and additional options.	

7.4. Ambient conditions

Storage temperature: -40 °C – +65 °C

Humidity during storage: max. 60%

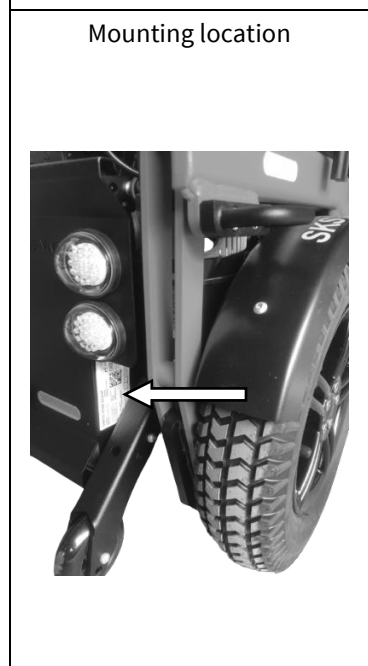
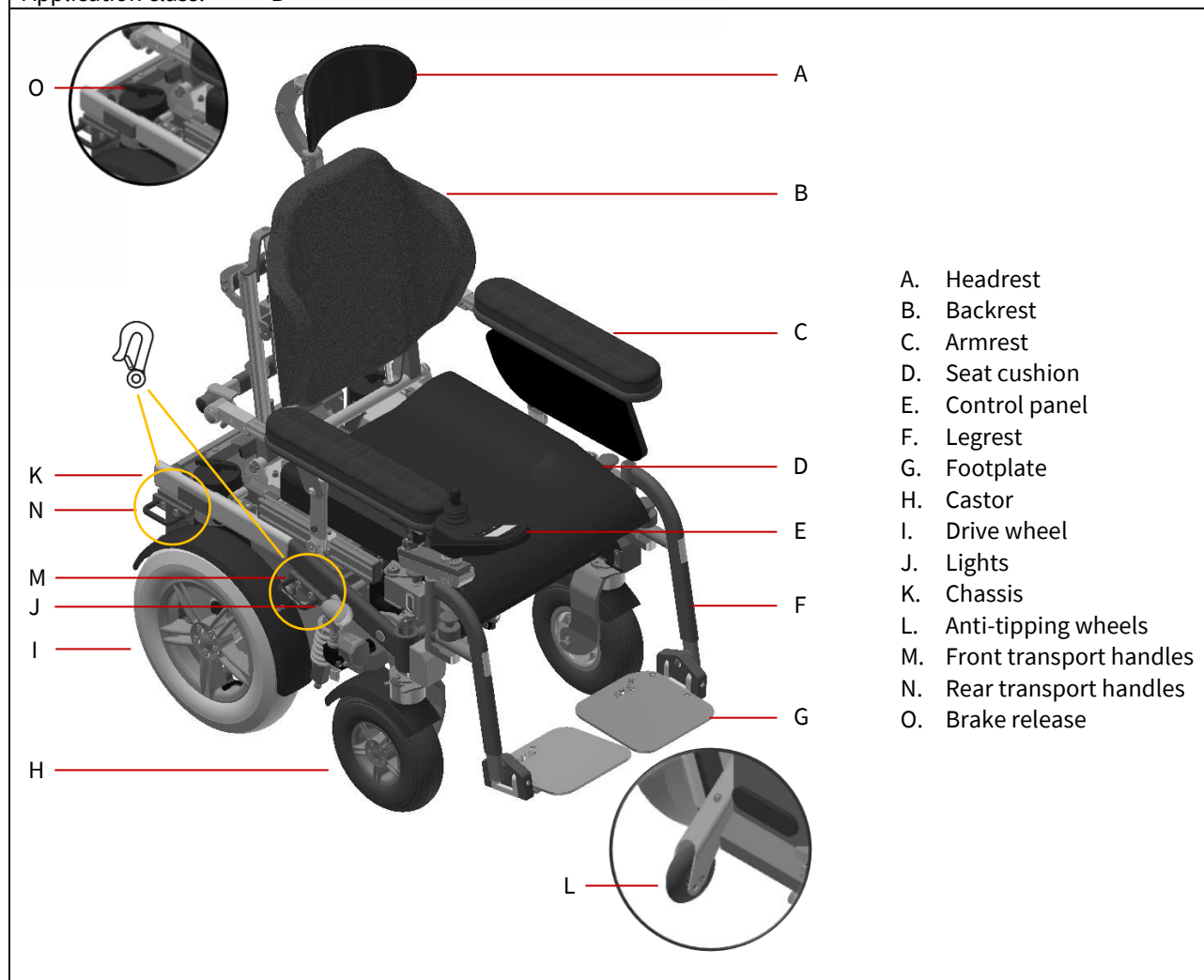
Operating temperature: -15 °C – +40 °C

Humidity during operation: max. 80%

Ambient pressure: approx. 1013hPa

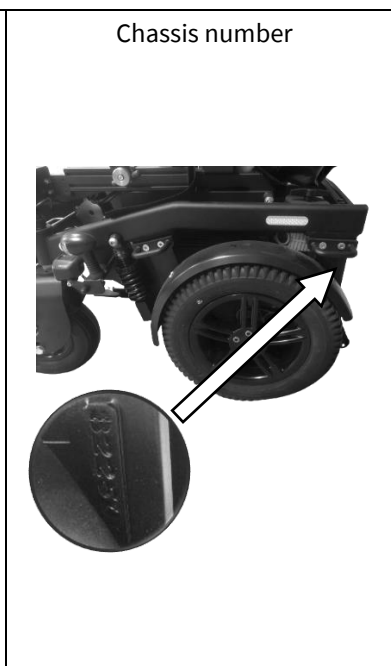
7.5. Swiss VIVA

Model:	Swiss VIVA
Item number:	004.40.4000
UDI-DI:	07649997485006
Application class:	B



Type plate

SWISS VIVA			
REF 07649997485006	SN 822053 AMT	MD 2023-03-08	
Geschwindigkeit	max. 10km/h	Zul. Gesamtgewicht	240kg
Zul. Zuladung	100kg	Zul. Achslast vo / hi	200kg/200kg
⚠ Kippgefahr Nur 1 Person gestattet			
SKS Rehab AG Im Wyden CH-8762 Schwanden		SKS Rehab AG Hermann-Kolb-Strasse 35b D-90475 Nürnberg	



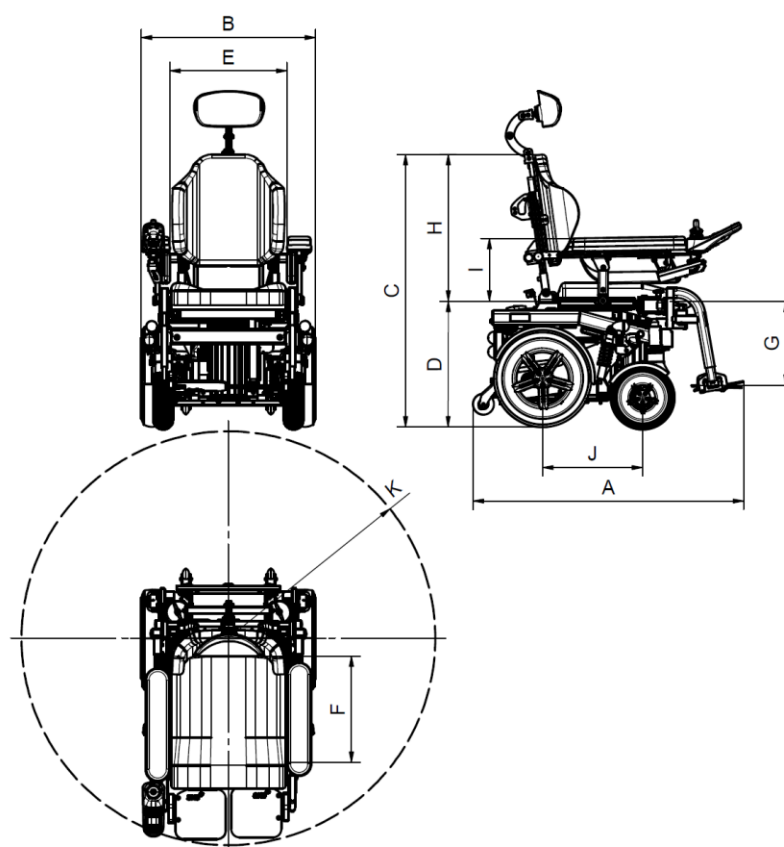
7.5.1. Technical data

Technical data		Swiss VIVA	
Drive type		RWD - rear-wheel drive	
Dimensions			
A: Length	[mm]	950 (minimum transport length approx. 660)	
B: Width	[mm]	600	
C: Height	[mm]	1050	
D: Seat height min. - without lift module	[mm]	450 (500 with standard seat cushion)	
D: Seat height min. - with lift module	[mm]	-	
E: Seat width	[mm]	360-530	
F: Seat depth	[mm]	350-500	
G: Lower leg length	[mm]	440	
H: Back height	[mm]	400/480	
I: Armrest height	[mm]	140-290	
J: Wheelbase	[mm]	360	
Remark: The dimensions may vary depending on the configuration.			
Weights			
Unladen weight - without lift module	[kg]	137	
Unladen weight - with lift module	[kg]	-	
User weight max.	[kg]	100	
Remark: Empty weights vary depending on the configuration.			
Performance			
Standard speed	[km/h]	8/12	
Speed - HMV - Max	[km/h]	6	
Speed - EBE - Max	[km/h]	12	
Braking distance	[m]	0.8	
Stability - static - uphill	[-]	20% / 12 °	
Stability - static - downhill	[-]	20% / 12 °	
Stability - static - lateral	[-]	11% / 6 °	
Stability - dynamic - uphill	[-]	16% / 9 °	
Obstacle height	[mm]	60	
Ground clearance	[mm]	70	
K: Turning radius	[mm]	790	
Range	[km]	30-35	
Remark: Level range, user weight 80kg. The range varies depending on the configuration, tyres and surface.			
Adjusting the seat			
Lift - Module (EPM)	[mm]	-	
Lift - MiniLift	[mm]	-	
Seat tilt - positive	[°]	0-27	
Seat tilt - negative	[°]	-	
Back angle	[°]	90-150	
Knee angle	[°]	90-180	
Standing function	[-]	-	
Remark: Adjustment ranges vary depending on the configuration. The lifting process can be interrupted at any time during the upward or downward movement and fixed in any position.			
Tyres			
Dimensions - drive wheels	["]	3.00-8	
Dimensions - castors	["]	2.80/2.5-4	
Tyre pressure - drive wheels	[bar]	2.0-2.2	
Tyre pressure - castors	[bar]	2.5	

Electrics		
Main fuse	[A]	150
System voltage	[VDC]	24
Front lights	[VDC]	24
Rear lights	[VDC]	24
Drive motors	[W]	2 x 350
Batteries – 20h rate (C20)	[-]	2 x 12V/60Ah
Batteries – 5h rate (C5)	[-]	2 x 12V/52Ah
Batteries – weight	[kg]	2 x 20.5
Charger – mains connection	[-]	100-240VAC, 4A, 50/60Hz
Charger - charging connection	[-]	24VDC, 8A

Actuating forces		
Joystick and buttons	[N]	< 3
Decoupling the drive brake	[N]	< 65

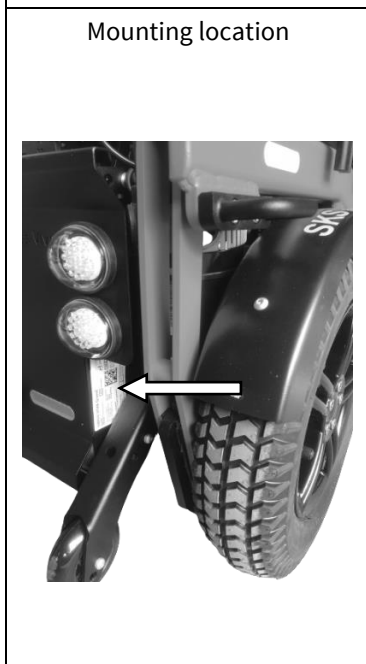
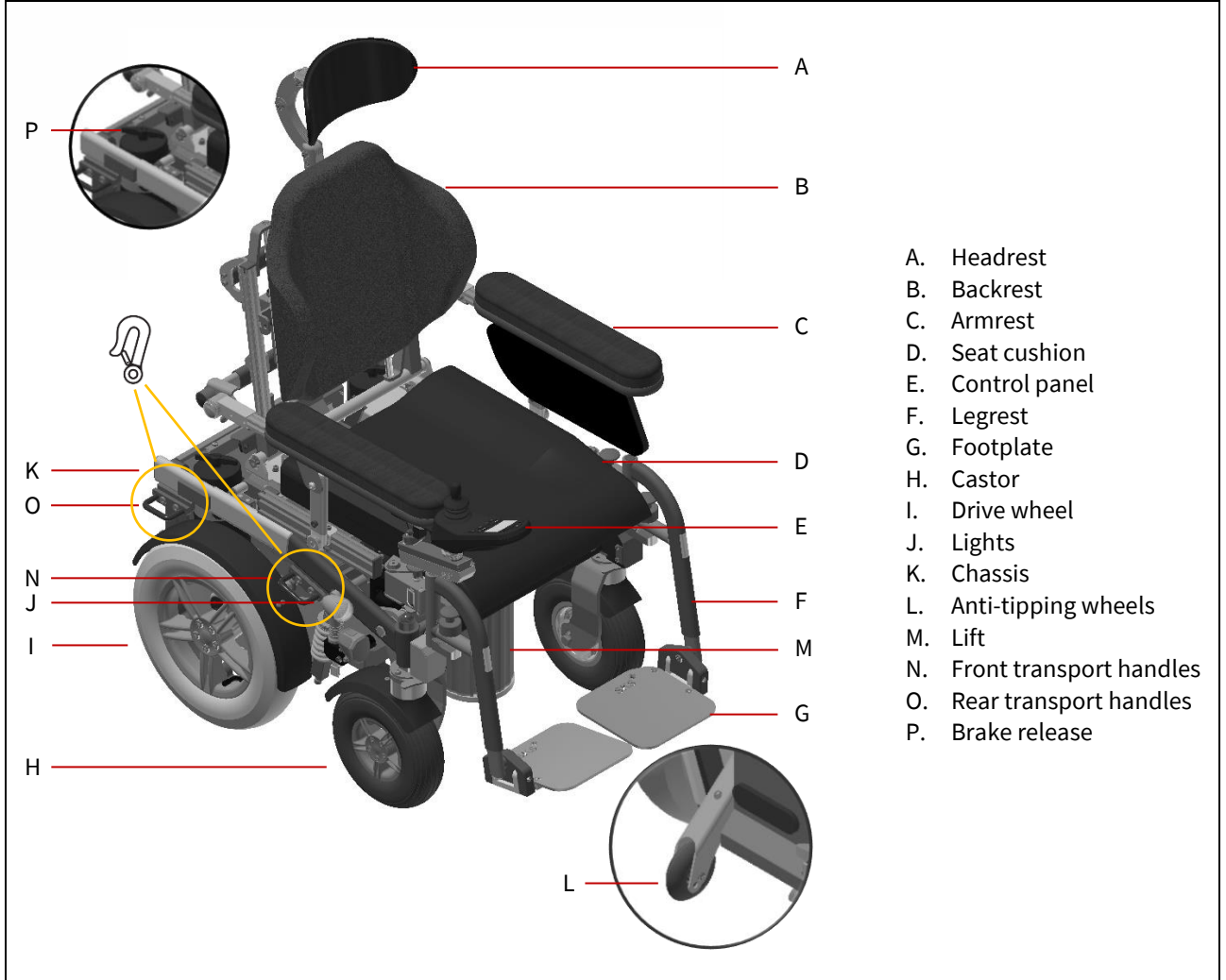
Transport		
Transport handles	[-]	yes
EZ-Lock	[-]	optional
DAHL-Docking MK II	[-]	-
4-point harness system	[-]	optional



- A: Overall length measured over the entire power wheelchair.
- B: Width measured over the drive wheels.
- C: Height measured from floor to upper edge of back.
- D: Seat height measured from floor to seat (without seat cushion).
- E: Seat width measured between side upholstery.
- F: Seat depth measured from front edge to back.
- G: Lower leg length measured from seat to footplate (without seat cushion).
- H: Back height measured from seat to upper edge of back.
- I: Armrest height measured from the seat to the upper edge of the armrest upholstery.
- J: Axle distance.
- K: Turning radius measured between the centre of the drive wheels and the outer collision points.

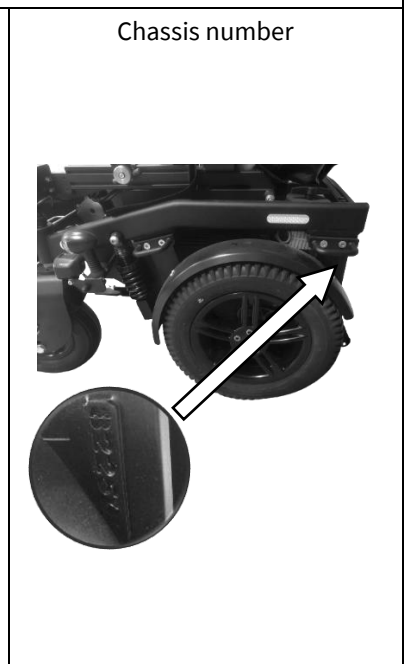
7.6. Swiss VIVA PLUS

Model:	Swiss VIVA PLUS
Item number:	004.40.4001
UDI-DI:	07649997485006
Application class:	B



Type plate

SWISS VIVA PLUS			
REF 07649997485006	SN 822053 AMT	2023-03-08	
Geschwindigkeit	max. 10km/h		UDI MD (01) 07649997485006 (11) 230308 (21) 822053 AMT
Zul. Gesamtgewicht	240kg		
Zul. Zuladung	100kg		
Zul. Achslast vo / hi	200kg/200kg		
⚠ Kippgefahr Nur 1 Person gestattet			
SKS Rehab AG Im Wyden CH-8762 Schwanden		EC REP SKS Rehab AG Hermann-Kolb-Strasse 35b D-90475 Nürnberg	



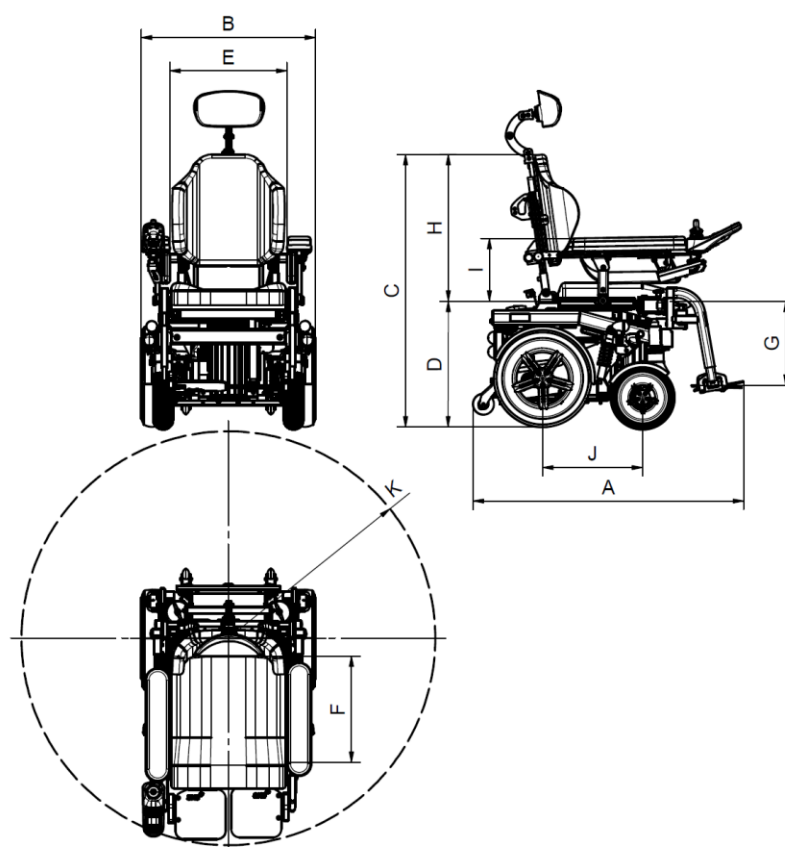
7.6.1. Technical data

Technical data		Swiss VIVA PLUS	
Drive type		RWD - rear-wheel drive	
Dimensions			
A: Length	[mm]	950 (minimum transport length approx. 660)	
B: Width	[mm]	600	
C: Height	[mm]	1050	
D: Seat height min. - without lift module	[mm]	-	
D: Seat height min. - with lift module	[mm]	450 (500 with standard seat cushion)	
E: Seat width	[mm]	360-530	
F: Seat depth	[mm]	350-500	
G: Lower leg length	[mm]	440	
H: Back height	[mm]	400/480	
I: Armrest height	[mm]	140-290	
J: Wheelbase	[mm]	360	
Remark: The dimensions may vary depending on the configuration.			
Weights			
Unladen weight - without lift module	[kg]	-	
Unladen weight - with lift module	[kg]	152	
User weight max.	[kg]	100	
Remark: Empty weights vary depending on the configuration.			
Performance			
Standard speed	[km/h]	8/12	
Speed - HMV - Max	[km/h]	6	
Speed - EBE - Max	[km/h]	12	
Braking distance	[m]	0.8	
Stability - static - uphill	[-]	20% / 12 °	
Stability - static - downhill	[-]	20% / 12 °	
Stability - static - lateral	[-]	11% / 6 °	
Stability - dynamic - uphill	[-]	16% / 9 °	
Obstacle height	[mm]	60	
Ground clearance	[mm]	70	
K: Turning radius	[mm]	790	
Range	[km]	30-35	
Remark: Level range, user weight 80kg. The range varies depending on the configuration, tyres and surface.			
Adjusting the seat			
Lift - Module (EPM)	[mm]	270	
Lift - MiniLift	[mm]	-	
Seat tilt - positive	[°]	0-27	
Seat tilt - negative	[°]	-	
Back angle	[°]	90-150	
Knee angle	[°]	90-180	
Standing function	[-]	-	
Remark: Adjustment ranges vary depending on the configuration. The lifting process can be interrupted at any time during the upward or downward movement and fixed in any position.			
Tyres			
Dimensions - drive wheels	["]	3.00-8	
Dimensions - castors	["]	2.80/2.5-4	
Tyre pressure - drive wheels	[bar]	2.0-2.2	
Tyre pressure - castors	[bar]	2.5	

Electrics		
Main fuse	[A]	150
System voltage	[VDC]	24
Front lights	[VDC]	24
Rear lights	[VDC]	24
Drive motors	[W]	2 x 350
Batteries – 20h rate (C20)	[-]	2 x 12V/60Ah
Batteries – 5h rate (C5)	[-]	2 x 12V/52Ah
Batteries – weight	[kg]	2 x 20.5
Charger – mains connection	[-]	100-240VAC, 4A, 50/60Hz
Charger - charging connection	[-]	24VDC, 8A

Actuating forces		
Joystick and buttons	[N]	< 3
Decoupling the drive brake	[N]	< 65

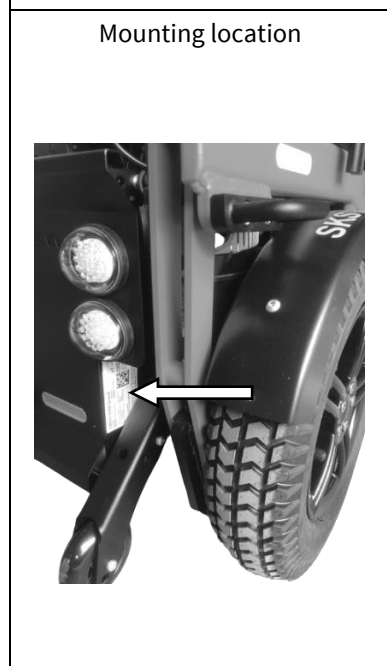
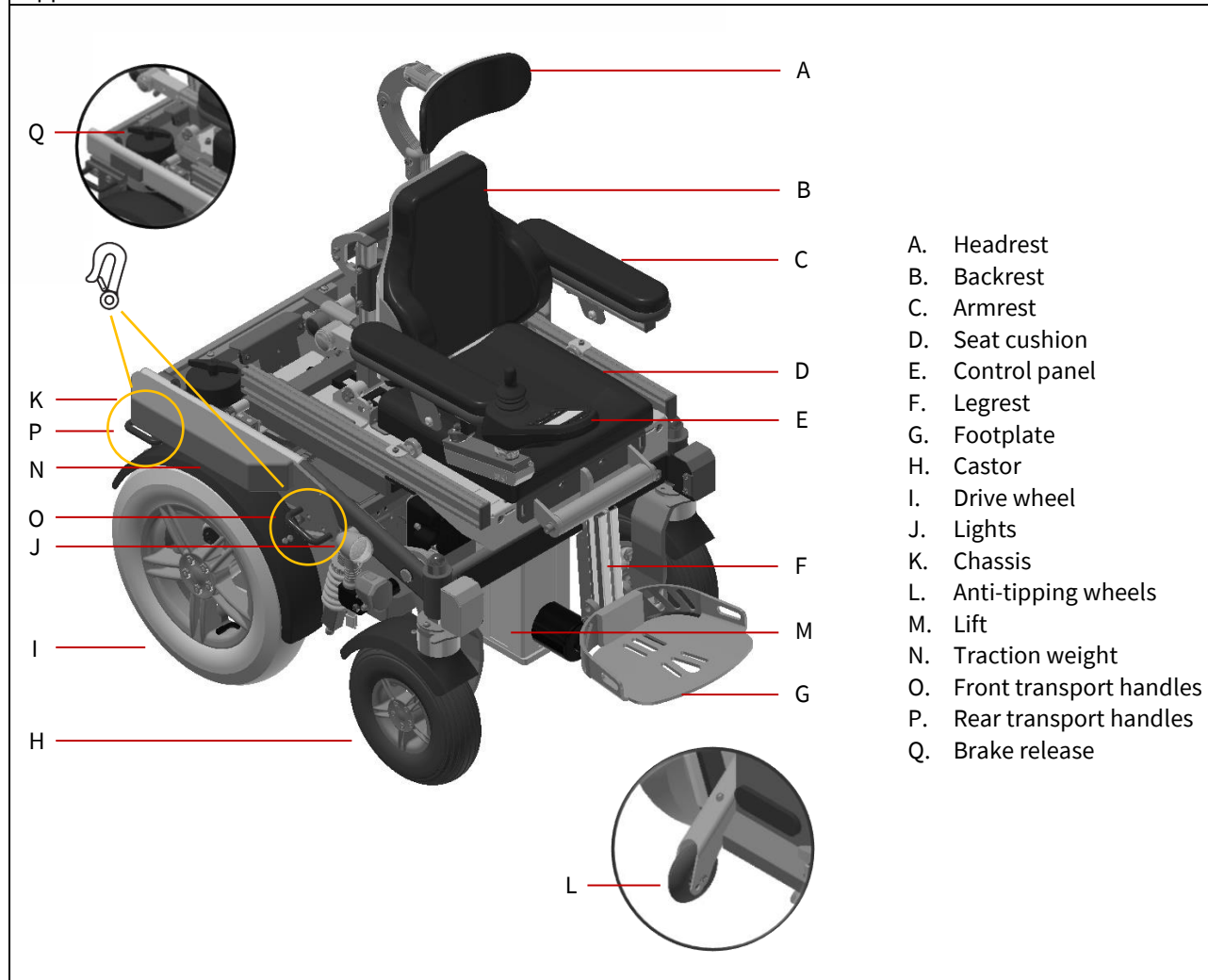
Transport		
Transport handles	[-]	yes
EZ-Lock	[-]	optional
DAHL-Docking MK II	[-]	-
4-point harness system	[-]	optional



- A: Overall length measured over the entire power wheelchair.
- B: Width measured over the drive wheels.
- C: Height measured from floor to upper edge of back.
- D: Seat height measured from floor to seat (without seat cushion).
- E: Seat width measured between side upholstery.
- F: Seat depth measured from front edge to back.
- G: Lower leg length measured from seat to footplate (without seat cushion).
- H: Back height measured from seat to upper edge of back.
- I: Armrest height measured from the seat to the upper edge of the armrest upholstery.
- J: Axle distance.
- K: Turning radius measured between the centre of the drive wheels and the outer collision points.

7.7. Swiss VIVA Junior

Model:	Swiss VIVA Junior
Item number:	004.40.4002
UDI-DI:	07649997485006
Application class:	B



Type plate

SWISS VIVA JUNIOR

REF 07649997485006 SN 822053 AMT M 2023-03-08

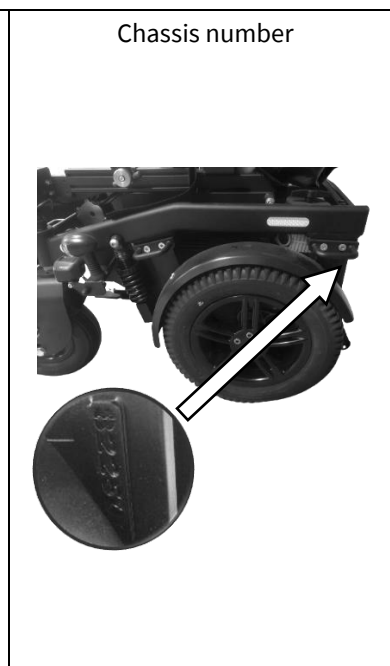
Geschwindigkeit max. 10km/h
 Zul. Gesamtgewicht 240kg
 Zul. Zuladung 100kg
 Zul. Achslast vo / hi 200kg/200kg

UDI MD

(01) 07649997485006
 (11) 230308
 (21) 822053 AMT

⚠ Kippgefahr
 Nur 1 Person gestattet

SKS Rehab AG Im Wyden CH-8762 Schwanden EC REP SKS Rehab AG Hermann-Kolb-Strasse 35b D-90475 Nürnberg CE



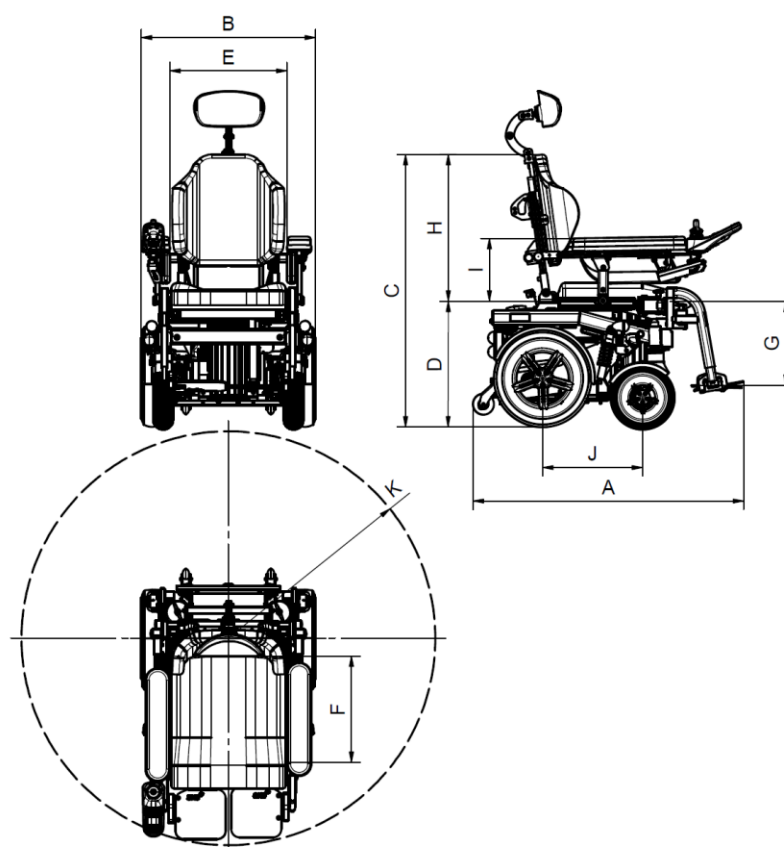
7.7.1. Technical data

Technical data		Swiss VIVA Junior	
Drive type		RWD - rear-wheel drive	
Dimensions			
A: Length	[mm]	950 (minimum transport length approx. 660)	
B: Width	[mm]	600	
C: Height	[mm]	1050	
D: Seat height min. - without lift module	[mm]	450 (500 with standard seat cushion)	
D: Seat height min. - with lift module	[mm]	450 (500 with standard seat cushion)	
E: Seat width	[mm]	250 - 350	
F: Seat depth	[mm]	350 - 425	
G: Lower leg length	[mm]	440	
H: Back height	[mm]	400 / 480	
I: Armrest height	[mm]	130 - 200	
J: Wheelbase	[mm]	360	
Remark: The dimensions may vary depending on the configuration.			
Weights			
Unladen weight - without lift module	[kg]	125	
Unladen weight - with lift module	[kg]	140	
User weight max.	[kg]	100	
Remark: Empty weights vary depending on the configuration.			
Performance			
Standard speed	[km/h]	8/12	
Speed - HMV - Max	[km/h]	6	
Speed - EBE - Max	[km/h]	12	
Braking distance	[m]	0.8	
Stability - static - uphill	[-]	20% / 12 °	
Stability - static - downhill	[-]	20% / 12 °	
Stability - static - lateral	[-]	11% / 6 °	
Stability - dynamic - uphill	[-]	16% / 9 °	
Obstacle height	[mm]	60	
Ground clearance	[mm]	70	
K: Turning radius	[mm]	790	
Range	[km]	30-35	
Remark: Level range, user weight 80kg. The range varies depending on the configuration, tyres and surface.			
Adjusting the seat			
Lift - Module (EPM)	[mm]	270	
Lift - MiniLift	[mm]	-	
Seat tilt - positive	[°]	0-27	
Seat tilt - negative	[°]	-	
Back angle	[°]	90-150	
Knee angle	[°]	90-180	
Standing function	[-]	-	
Remark: Adjustment ranges vary depending on the configuration. The lifting process can be interrupted at any time during the upward or downward movement and fixed in any position.			
Tyres			
Dimensions - drive wheels	["]	3.00-8	
Dimensions - castors	["]	2.80/2.5-4	
Tyre pressure - drive wheels	[bar]	2.0-2.2	
Tyre pressure - castors	[bar]	2.5	

Electrics		
Main fuse	[A]	150
System voltage	[VDC]	24
Front lights	[VDC]	24
Rear lights	[VDC]	24
Drive motors	[W]	2 x 350
Batteries – 20h rate (C20)	[-]	2 x 12V/60Ah
Batteries – 5h rate (C5)	[-]	2 x 12V/52Ah
Batteries – weight	[kg]	2 x 20.5
Charger – mains connection	[-]	100-240VAC, 4A, 50/60Hz
Charger - charging connection	[-]	24VDC, 8A

Actuating forces		
Joystick and buttons	[N]	< 3
Decoupling the drive brake	[N]	< 65

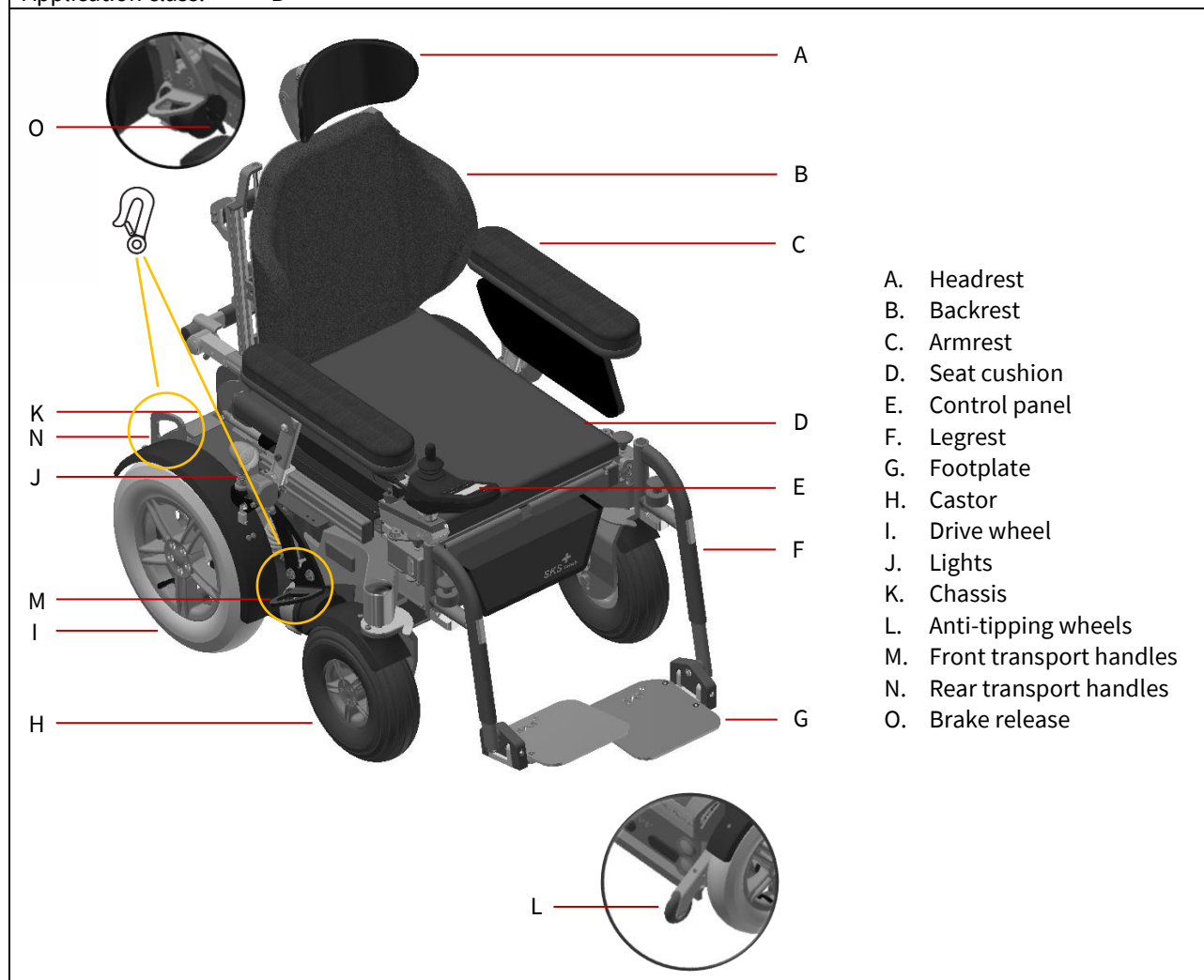
Transport		
Transport handles	[-]	yes
EZ-Lock	[-]	optional
DAHL-Docking MK II	[-]	-
4-point harness system	[-]	optional




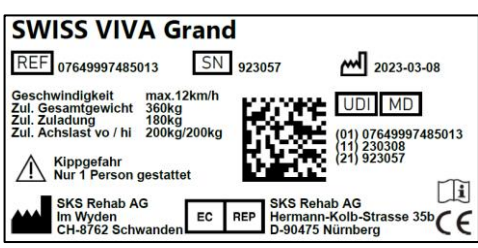
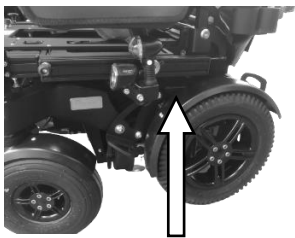

- A: Overall length measured over the entire power wheelchair.
- B: Width measured over the drive wheels.
- C: Height measured from floor to upper edge of back.
- D: Seat height measured from floor to seat (without seat cushion).
- E: Seat width measured between side upholstery.
- F: Seat depth measured from front edge to back.
- G: Lower leg length measured from seat to footplate (without seat cushion).
- H: Back height measured from seat to upper edge of back.
- I: Armrest height measured from the seat to the upper edge of the armrest upholstery.
- J: Axle distance.
- K: Turning radius measured between the centre of the drive wheels and the outer collision points.

7.8. Swiss VIVA Grand

Model:	Swiss VIVA Grand
Item number:	005.40.4000
UDI-DI:	07649997485013
Application class:	B



- A. Headrest
- B. Backrest
- C. Armrest
- D. Seat cushion
- E. Control panel
- F. Legrest
- G. Footplate
- H. Castor
- I. Drive wheel
- J. Lights
- K. Chassis
- L. Anti-tipping wheels
- M. Front transport handles
- N. Rear transport handles
- O. Brake release

<p>Mounting location</p> 	<p>Type plate</p>  <p>SWISS VIVA Grand REF 07649997485013 SN 923057 2023-03-08 Geschwindigkeit max. 12km/h Zul. Gesamtgewicht 360kg Zul. Zuladung 180kg Zul. Achslast vo / hi 200kg/200kg Kippgefahr Nur 1 Person gestattet SKS Rehab AG Im Wyden CH-8762 Schwanden SKS Rehab AG Hermann-Kolb-Strasse 35b D-90475 Nürnberg</p>	<p>Chassis number</p>  
--	--	---

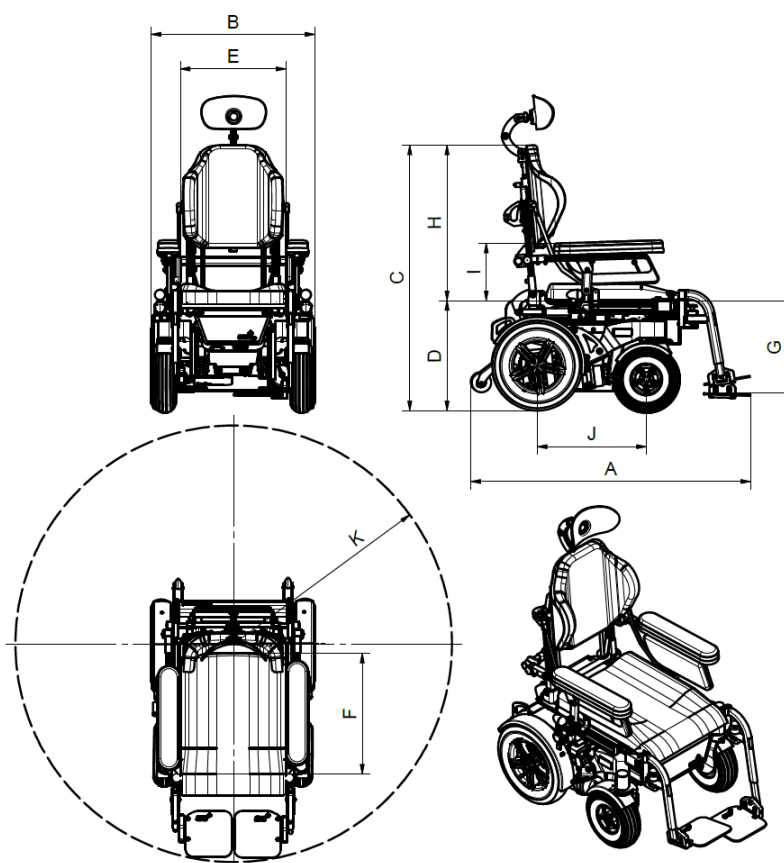
7.8.1. Technical data

Technical data		Swiss VIVA Grand	
Drive type		RWD - rear-wheel drive	
Dimensions			
A: Length	[mm]	980 (minimum transport length approx. 730)	
B: Width	[mm]	630	
C: Height	[mm]	1050	
D: Seat height min. - without lift module	[mm]	-	
D: Seat height min. - with lift module	[mm]	425 (475 with standard seat cushion)	
E: Seat width	[mm]	380-500	
F: Seat depth	[mm]	400-540	
G: Lower leg length	[mm]	440-520	
H: Back height	[mm]	400/480	
I: Armrest height	[mm]	140-400	
J: Wheelbase	[mm]	420	
Remark: The dimensions may vary depending on the configuration.			
Weights			
Unladen weight - without lift module	[kg]	178	
Unladen weight - with lift module	[kg]	195	
User weight max.	[kg]	180	
Remark: Empty weights vary depending on the configuration.			
Performance			
Standard speed	[km/h]	8/12	
Speed - HMV - Max	[km/h]	6	
Speed - EBE - Max	[km/h]	12	
Braking distance	[m]	0.8	
Stability - static - uphill	[-]	30% / 16 °	
Stability - static - downhill	[-]	30% / 16 °	
Stability - static - lateral	[-]	11% / 6 °	
Stability - dynamic - uphill	[-]	16% / 9 °	
Obstacle height	[mm]	80	
Ground clearance	[mm]	60	
K: Turning radius	[mm]	980	
Range	[km]	35-40	
Remark: Level range, user weight 80kg. The range varies depending on the configuration, tyres and surface.			
Adjusting the seat			
Lift - Module (EPM)	[mm]	300	
Lift - MiniLift	[mm]	-	
Seat tilt - positive	[°]	0-40	
Seat tilt - negative	[°]	-	
Back angle	[°]	82-153	
Knee angle	[°]	90-180	
Standing function	[-]	-	
Remark: Adjustment ranges vary depending on the configuration. The lifting process can be interrupted at any time during the upward or downward movement and fixed in any position.			
Tyres			
Dimensions - drive wheels	["]	3.00-8	
Dimensions - castors	["]	2.80/2.5-4	
Tyre pressure - drive wheels	[bar]	2.0-2.2	
Tyre pressure - castors	[bar]	2.5	

Electrics		
Main fuse	[A]	150
System voltage	[VDC]	24
Front lights	[VDC]	24
Rear lights	[VDC]	24
Drive motors	[W]	2 x 350
Batteries – 20h rate (C20)	[-]	2 x 12V/76Ah
Batteries – 5h rate (C5)	[-]	2 x 12V/66Ah
Batteries – weight	[kg]	2 x 24
Charger – mains connection	[-]	100-240VAC, 4A, 50/60Hz
Charger - charging connection	[-]	24VDC, 8A

Actuating forces		
Joystick and buttons	[N]	< 3
Decoupling the drive brake	[N]	< 65

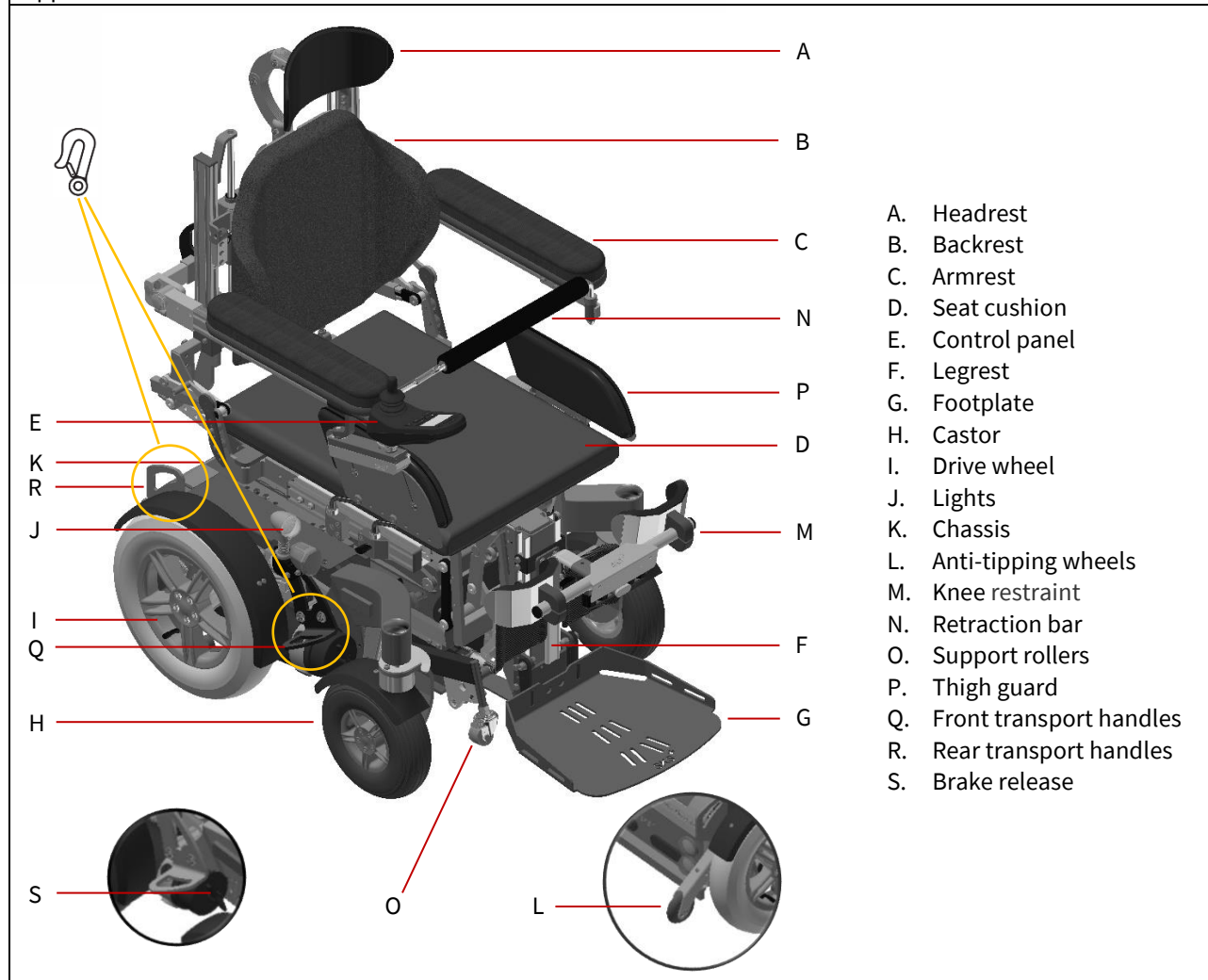
Transport			
Transport handles	[-]	yes	
EZ-Lock	[-]	optional	
DAHL-Docking MK II	[-]	optional	Crash tested acc. ISO7179-19
4-point harness system	[-]	optional	Crash tested acc. ISO7179-19



- A: Overall length measured over the entire power wheelchair.
- B: Width measured over the drive wheels.
- C: Height measured from floor to upper edge of back.
- D: Seat height measured from floor to seat (without seat cushion).
- E: Seat width measured between side upholstery.
- F: Seat depth measured from front edge to back.
- G: Lower leg length measured from seat to footplate (without seat cushion).
- H: Back height measured from seat to upper edge of back.
- I: Armrest height measured from the seat to the upper edge of the armrest upholstery.
- J: Axle distance.
- K: Turning radius measured between the centre of the drive wheels and the outer collision points.

7.9. Swiss VIVA Grand S

Model:	Swiss VIVA Grand S
Item number:	005.40.4010
UDI-DI:	07649997485020
Application class:	B



Type plate

SWISS VIVA Grand S

REF 07649997485020 SN 923001 S 2023-03-08

Geschwindigkeit max. 12km/h
Zul. Gesamtgewicht 360kg
Zul. Zuladung 120kg
Zul. Achslast vo / hi 200kg/200kg

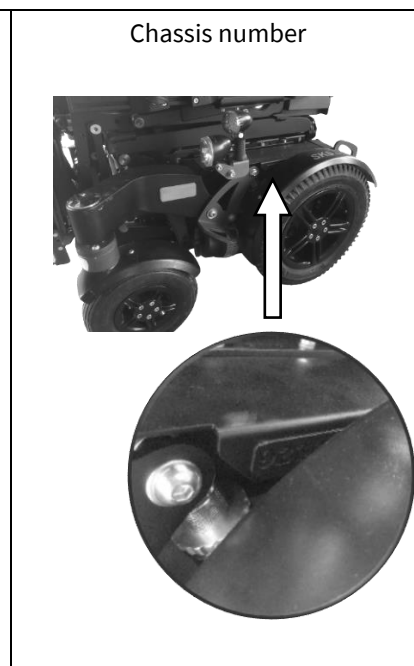
Kippgefahr
Nur 1 Person gestattet

UDI MD

(01) 07649997485020
(11) 230308
(21) 923001 S

SKS Rehab AG
Im Wyden
CH-8762 Schwanden

EC REP SKS Rehab AG
Hermann-Kolb-Strasse 35b
D-90475 Nürnberg



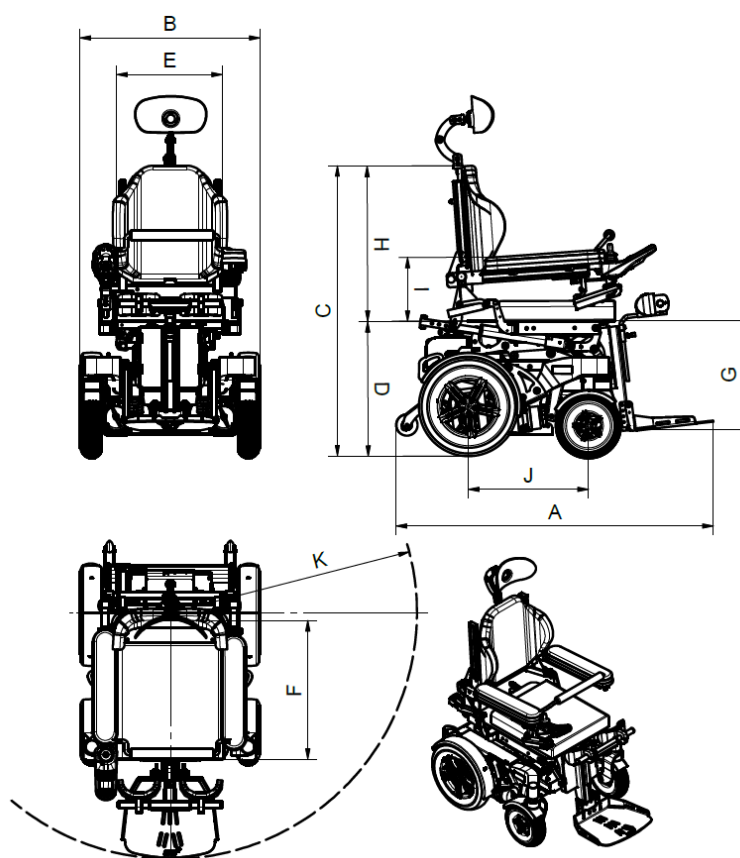
7.9.1. Technical data

Technical data		Swiss VIVA Grand S	
Drive type		RWD - rear-wheel drive	
Dimensions			
A: Length	[mm]	970 (minimum transport length approx. 730)	
B: Width	[mm]	630	
C: Height	[mm]	1050	
D: Seat height min. – without lift module	[mm]	495 (545 with standard seat cushion)	
D: Seat height min. – with lift module	[mm]	510 (560 with standard seat cushion)	
E: Seat width	[mm]	380-480	
F: Seat depth	[mm]	425-580	
G: Lower leg length	[mm]	380-490	
H: Back height	[mm]	400/480	
I: Armrest height	[mm]	230-250	
J: Wheelbase	[mm]	420	
Remark: The dimensions may vary depending on the configuration.			
Weights			
Unladen weight – without lift module	[kg]	198	
Unladen weight – with lift module	[kg]	217	
User weight max.	[kg]	120	
Remark: Empty weights vary depending on the configuration.			
Performance			
Standard speed	[km/h]	8/12	
Speed – HMV - Max	[km/h]	6	
Speed – EBE - Max	[km/h]	12	
Braking distance	[m]	0.8	
Stability – static - uphill	[-]	30% / 16 °	
Stability – static - downhill	[-]	30% / 16 °	
Stability – static - lateral	[-]	11% / 6 °	
Stability – dynamic - uphill	[-]	16% / 9 °	
Obstacle height	[mm]	60	
Ground clearance	[mm]	60	
K: Turning radius	[mm]	980	
Range	[km]	35-40	
Remark: Level range, user weight 80kg. The range varies depending on the configuration, tyres and surface.			
Adjusting the seat			
Lift – Module (EPM)	[mm]	300	
Lift – MiniLift	[mm]	120	
Seat tilt – positive	[°]	0-30	
Seat tilt – negative	[°]	-	
Back angle	[°]	90-150	
Knee angle	[°]	90-172	
Standing function	[-]	yes	
Remark: Adjustment ranges vary depending on the configuration. The lifting process can be interrupted at any time during the upward or downward movement and fixed in any position.			
Tyres			
Dimensions - drive wheels	["]	3.00-8	
Dimensions - castors	["]	2.80/2.5-4	
Tyre pressure - drive wheels	[bar]	2.0-2.2	
Tyre pressure - castors	[bar]	2.5	

Electrics		
Main fuse	[A]	150
System voltage	[VDC]	24
Front lights	[VDC]	24
Rear lights	[VDC]	24
Drive motors	[W]	2 x 350
Batteries – 20h rate (C20)	[-]	2 x 12V/76Ah
Batteries – 5h rate (C5)	[-]	2 x 12V/66Ah
Batteries – weight	[kg]	2 x 24
Charger – mains connection	[-]	100-240VAC, 4A, 50/60Hz
Charger - charging connection	[-]	24VDC, 8A

Actuating forces		
Joystick and buttons	[N]	< 3
Decoupling the drive brake	[N]	< 65

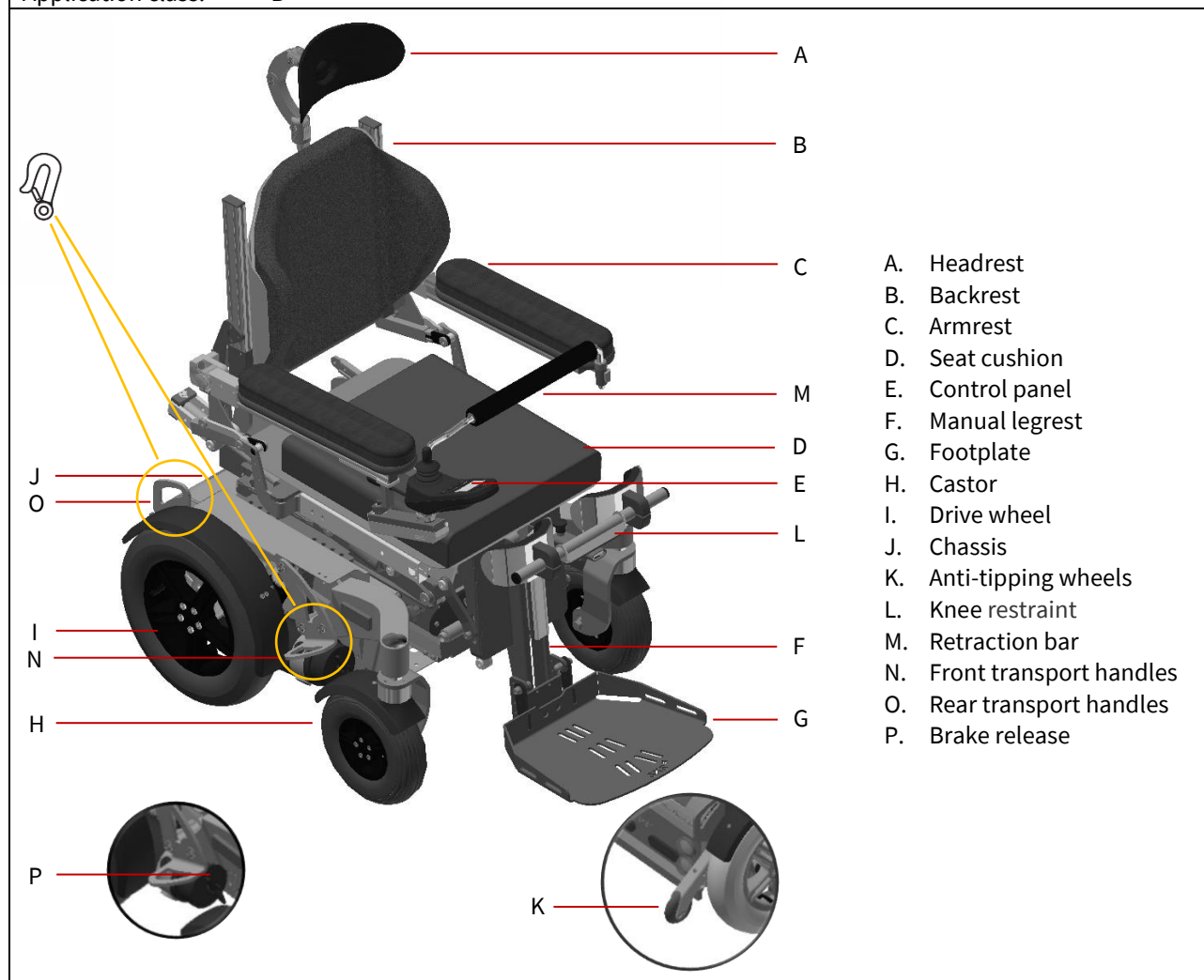
Transport			
Transport handles	[-]	yes	
EZ-Lock	[-]	-	
DAHL-Docking MK II	[-]	optional	Crash tested acc. ISO7179-19
4-point harness system	[-]	optional	Crash tested acc. ISO7179-19



- A: Overall length measured over the entire power wheelchair.
- B: Width measured over the drive wheels.
- C: Height measured from floor to upper edge of back.
- D: Seat height measured from floor to seat (without seat cushion).
- E: Seat width measured between side upholstery.
- F: Seat depth measured from front edge to back.
- G: Lower leg length measured from seat to footplate (without seat cushion).
- H: Back height measured from seat to upper edge of back.
- I: Armrest height measured from the seat to the upper edge of the armrest upholstery.
- J: Axle distance.
- K: Turning radius measured between the centre of the drive wheels and the outer collision points.

7.10. Swiss VIVA S

Model:	Swiss VIVA S
Item number:	005.40.4013
UDI-DI:	07649997485020
Application class:	B



- A. Headrest
- B. Backrest
- C. Armrest
- D. Seat cushion
- E. Control panel
- F. Manual legrest
- G. Footplate
- H. Castor
- I. Drive wheel
- J. Chassis
- K. Anti-tipping wheels
- L. Knee restraint
- M. Retraction bar
- N. Front transport handles
- O. Rear transport handles
- P. Brake release

Mounting location	Type plate	Chassis number
	<p>SWISS VIVA S</p> <p>REF 07649997485020 SN 9VS23052 2023-06-12</p> <p>Geschwindigkeit max. 8km/h Zul. Gesamtgewicht 360kg Zul. Zuladung 100kg Zul. Achslast vo / hi 200kg/200kg</p> <p>⚠ Kippgefahr Nur 1 Person gestattet</p> <p>SKS Rehab AG Im Wyden CH-8762 Schwanden EC REP SKS Rehab AG Hermann-Kolb-Strasse 35b D-90478 Nürnberg CE</p> <p>UDI MD (01) 07649997485020 (11) 230512 (21) 9VS23052</p>	

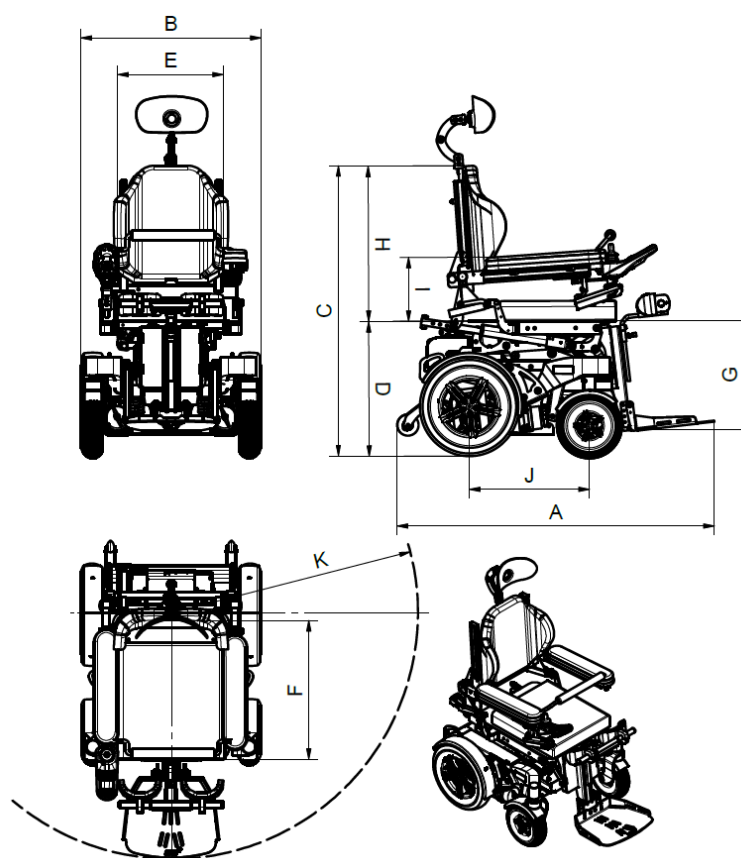
7.10.1. Technical data

Technical data		Swiss VIVA S
Drive type		RWD - rear-wheel drive
Dimensions		
A: Length	[mm]	970 (minimum transport length approx. 730)
B: Width	[mm]	630
C: Height	[mm]	1050
D: Seat height min. - without lift module	[mm]	495 (545 with standard seat cushion)
D: Seat height min. - with lift module	[mm]	-
E: Seat width	[mm]	340-480
F: Seat depth	[mm]	425-580
G: Lower leg length	[mm]	200-390
H: Back height	[mm]	400/480
I: Armrest height	[mm]	260-460
J: Wheelbase	[mm]	425
Remark: The dimensions may vary depending on the configuration.		
Weights		
Unladen weight - without lift module	[kg]	165
Unladen weight - with lift module	[kg]	-
User weight max.	[kg]	100
Remark: Empty weights vary depending on the configuration.		
Performance		
Standard speed	[km/h]	8/12
Speed - HMV - Max	[km/h]	6
Speed - EBE - Max	[km/h]	12
Braking distance	[m]	0.8
Stability - static - uphill	[-]	30% / 16 °
Stability - static - downhill	[-]	30% / 16 °
Stability - static - lateral	[-]	11% / 6 °
Stability - dynamic - uphill	[-]	16% / 9 °
Obstacle height	[mm]	60
Ground clearance	[mm]	60
K: Turning radius	[mm]	980
Range	[km]	25-30
Remark: Level range, user weight 80kg. The range varies depending on the configuration, tyres and surface.		
Adjusting the seat		
Lift - Module (EPM)	[mm]	-
Lift - MiniLift	[mm]	-
Seat tilt - positive	[°]	0-30
Seat tilt - negative	[°]	-
Back angle	[°]	90-150
Knee angle	[°]	-
Standing function	[-]	yes
Remark: Adjustment ranges vary depending on the configuration. The lifting process can be interrupted at any time during the upward or downward movement and fixed in any position.		
Tyres		
Dimensions - drive wheels	["]	3.00-8
Dimensions - castors	["]	2.80/2.5-4
Tyre pressure - drive wheels	[bar]	2.0-2.2
Tyre pressure - castors	[bar]	2.5

Electrics		
Main fuse	[A]	150
System voltage	[VDC]	24
Front lights	[VDC]	24
Rear lights	[VDC]	24
Drive motors	[W]	2 x 350
Batteries – 20h rate (C20)	[-]	2 x 12V/60Ah
Batteries – 5h rate (C5)	[-]	2 x 12V/52Ah
Batteries – weight	[kg]	2 x 20.5
Charger – mains connection	[-]	100-240VAC, 4A, 50/60Hz
Charger - charging connection	[-]	24VDC, 8A

Actuating forces		
Joystick and buttons	[N]	< 3
Decoupling the drive brake	[N]	< 65

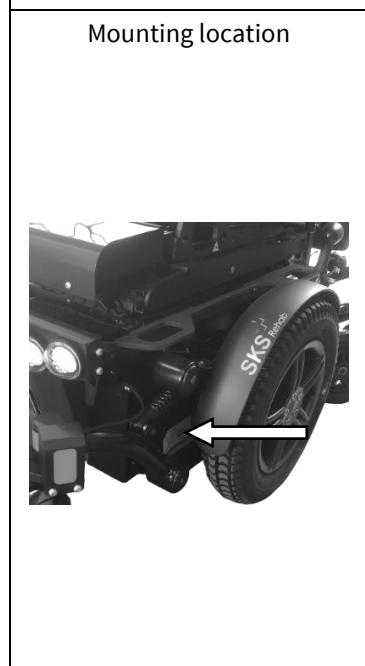
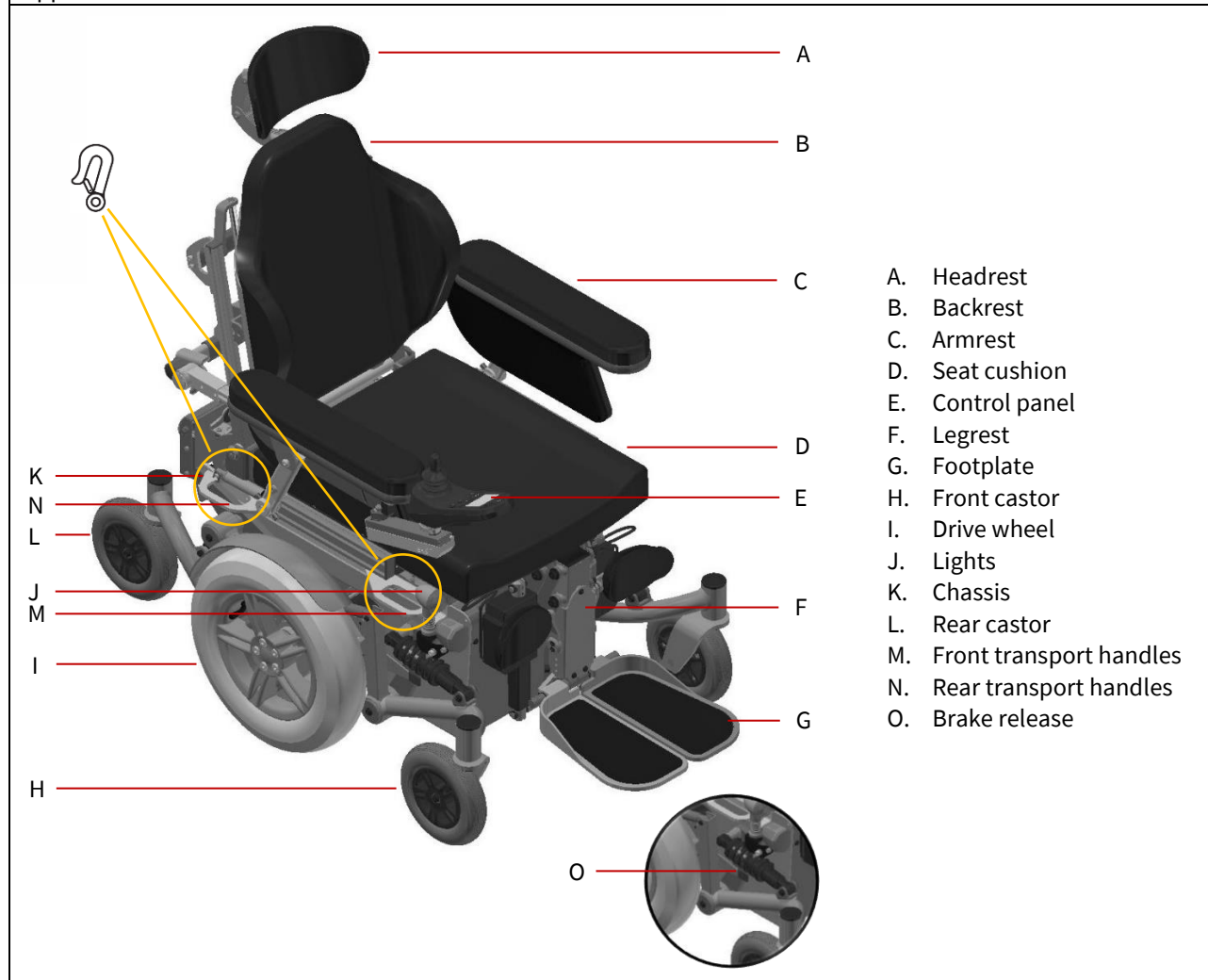
Transport			
Transport handles	[-]	yes	
EZ-Lock	[-]	-	
DAHL-Docking MK II	[-]	optional	Crash tested acc. ISO7179-19
4-point harness system	[-]	optional	Crash tested acc. ISO7179-19



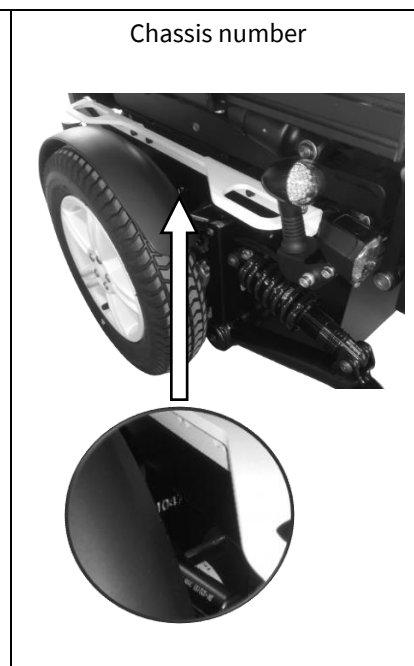
- A: Overall length measured over the entire power wheelchair.
- B: Width measured over the drive wheels.
- C: Height measured from floor to upper edge of back.
- D: Seat height measured from floor to seat (without seat cushion).
- E: Seat width measured between side upholstery.
- F: Seat depth measured from front edge to back.
- G: Lower leg length measured from seat to footplate (without seat cushion).
- H: Back height measured from seat to upper edge of back.
- I: Armrest height measured from the seat to the upper edge of the armrest upholstery.
- J: Axle distance.
- K: Turning radius measured between the centre of the drive wheels and the outer collision points.

7.11. Swiss VIVA Grand M

Model:	Swiss VIVA Grand M
Item number:	005.40.4005
UDI-DI:	07649997485037
Application class:	B



Type plate



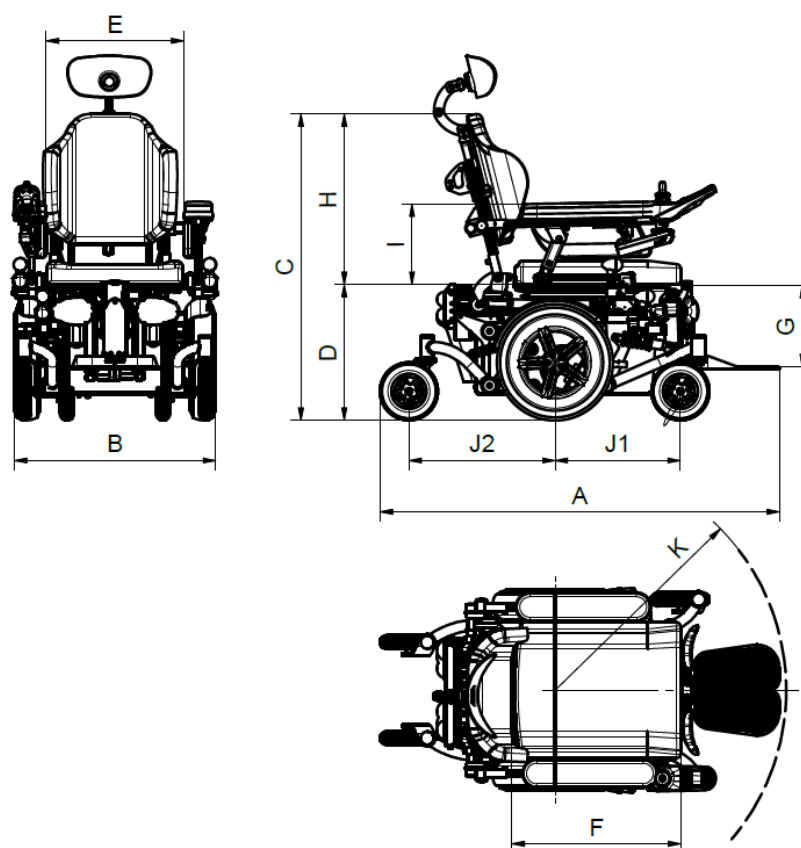
7.11.1. Technical data

Technical data		Swiss VIVA Grand M
Drive type		MWD - centre wheel drive
Dimensions		
A: Length	[mm]	1100 (minimum transport length approx. 990)
B: Width	[mm]	590
C: Height	[mm]	920
D: Seat height min. - without lift module	[mm]	-
D: Seat height min. - with lift module	[mm]	400 (450 with standard seat cushion)
E: Seat width	[mm]	380-500
F: Seat depth	[mm]	400-540
G: Lower leg length	[mm]	440-520
H: Back height	[mm]	400/480
I: Armrest height	[mm]	140-400
J: Wheelbase	[mm]	J1: 380 / J2: 440
Remark: The dimensions may vary depending on the configuration.		
Weights		
Unladen weight - without lift module	[kg]	166
Unladen weight - with lift module	[kg]	190
User weight max.	[kg]	140
Remark: Empty weights vary depending on the configuration.		
Performance		
Standard speed	[km/h]	8/12
Speed - HMV - Max	[km/h]	6
Speed - EBE - Max	[km/h]	12
Braking distance	[m]	0.8
Stability - static - uphill	[-]	30% / 16 °
Stability - static - downhill	[-]	30% / 16 °
Stability - static - lateral	[-]	11% / 6 °
Stability - dynamic - uphill	[-]	16% / 9 °
Obstacle height	[mm]	70
Ground clearance	[mm]	75
K: Turning radius	[mm]	650
Range	[km]	35-40
Remark: Level range, user weight 80kg. The range varies depending on the configuration, tyres and surface.		
Adjusting the seat		
Lift - Module (EPM)	[mm]	300
Lift - MiniLift	[mm]	-
Seat tilt - positive	[°]	0 - 40
Seat tilt - negative	[°]	-
Back angle	[°]	82 - 153
Knee angle	[°]	90 - 180
Standing function	[-]	-
Remark: Adjustment ranges vary depending on the configuration. The lifting process can be interrupted at any time during the upward or downward movement and fixed in any position.		
Tyres		
Dimensions - drive wheels	["]	3.00 - 8
Dimensions - castors	["]	7 x 1 ¾
Tyre pressure - drive wheels	[bar]	2.0 - 2.2
Tyre pressure - castors	[bar]	2.5

Electrics		
Main fuse	[A]	150
System voltage	[VDC]	24
Front lights	[VDC]	24
Rear lights	[VDC]	24
Drive motors	[W]	2 x 400
Batteries – 20h rate (C20)	[-]	2 x 12V/60Ah
Batteries – 5h rate (C5)	[-]	2 x 12V/52Ah
Batteries – weight	[kg]	2 x 20.5
Charger – mains connection	[-]	100-240VAC, 4A, 50/60Hz
Charger - charging connection	[-]	24VDC, 8A

Actuating forces		
Joystick and buttons	[N]	< 3
Decoupling the drive brake	[N]	< 65

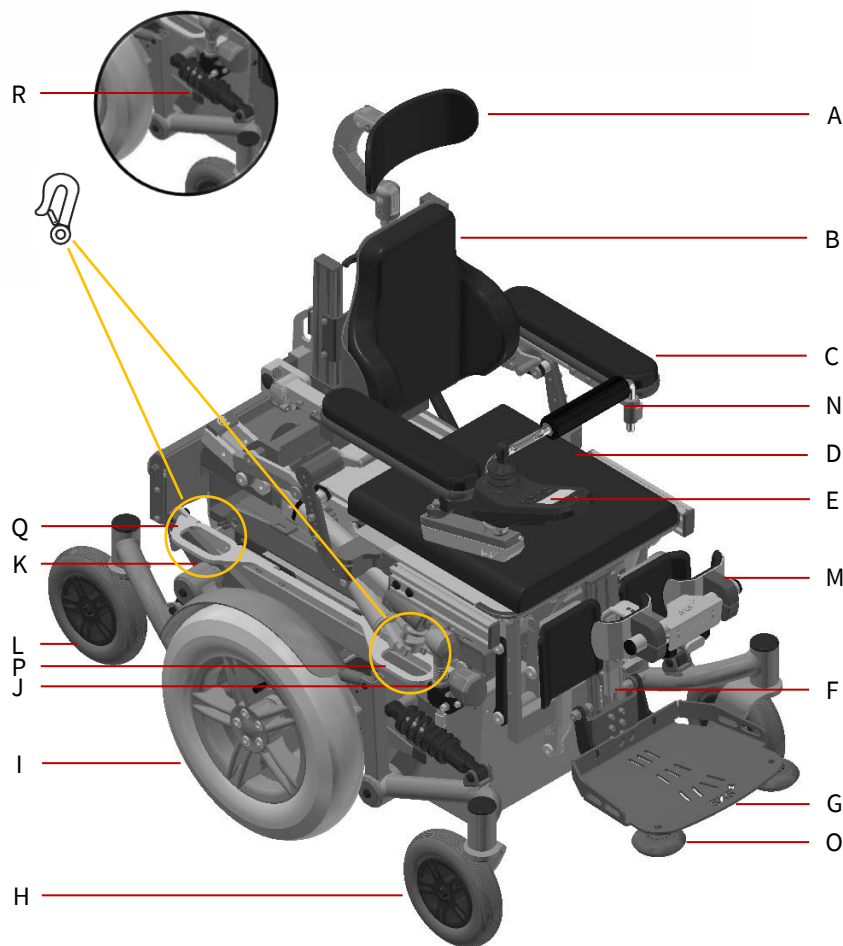
Transport			
Transport handles	[-]	yes	
EZ-Lock	[-]	-	
DAHL-Docking MK II	[-]	optional	Crash tested acc. ISO7179-19
4-point harness system	[-]	optional	Crash tested acc. ISO7179-19




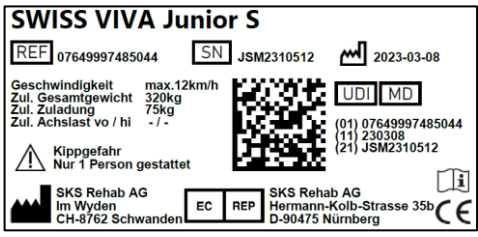
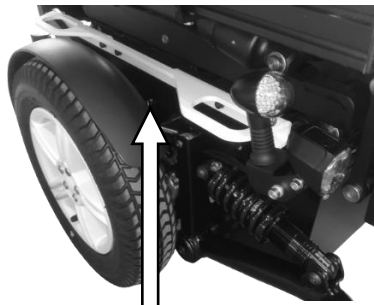

- A: Overall length measured over the entire power wheelchair.
- B: Width measured over the drive wheels.
- C: Height measured from floor to upper edge of back.
- D: Seat height measured from floor to seat (without seat cushion).
- E: Seat width measured between side upholstery.
- F: Seat depth measured from front edge to back.
- G: Lower leg length measured from seat to footplate (without seat cushion).
- H: Back height measured from seat to upper edge of back.
- I: Armrest height measured from the seat to the upper edge of the armrest upholstery.
- J: Axle distance.
- K: Turning radius measured between the centre of the drive wheels and the outer collision points.

7.12. Swiss VIVA Junior S

Model:	Swiss VIVA Junior S
Item number:	005.40.4011
UDI-DI:	07649997485044
Application class:	B



- A. Headrest
- B. Backrest
- C. Armrest
- D. Seat cushion
- E. Control panel
- F. Leg rest
- G. Footplate
- H. Front castor
- I. Drive wheel
- J. Lights
- K. Chassis
- L. Rear castor
- M. Knee restraint
- N. Retraction bar
- O. Collision protection
- P. Front transport handles
- Q. Rear transport handles
- R. Brake release

<p>Mounting location</p> 	<p>Type plate</p>  <p>SWISS VIVA Junior S</p> <p>REF 07649997485044 SN JSM2310512 2023-03-08</p> <p>Geschwindigkeit max. 12km/h Zul. Gesamtgewicht 320kg Zul. Zuladung 75kg Zul. Achslast vo / hi - / -</p> <p>Kippgefahr Nur 1 Person gestattet</p> <p>SKS Rehab AG Im Wyden CH-8762 Schwanden</p> <p>EC REP SKS Rehab AG Hermann-Kolb-Strasse 35b D-90475 Nürnberg</p>	<p>Chassis number</p>  
--	---	---

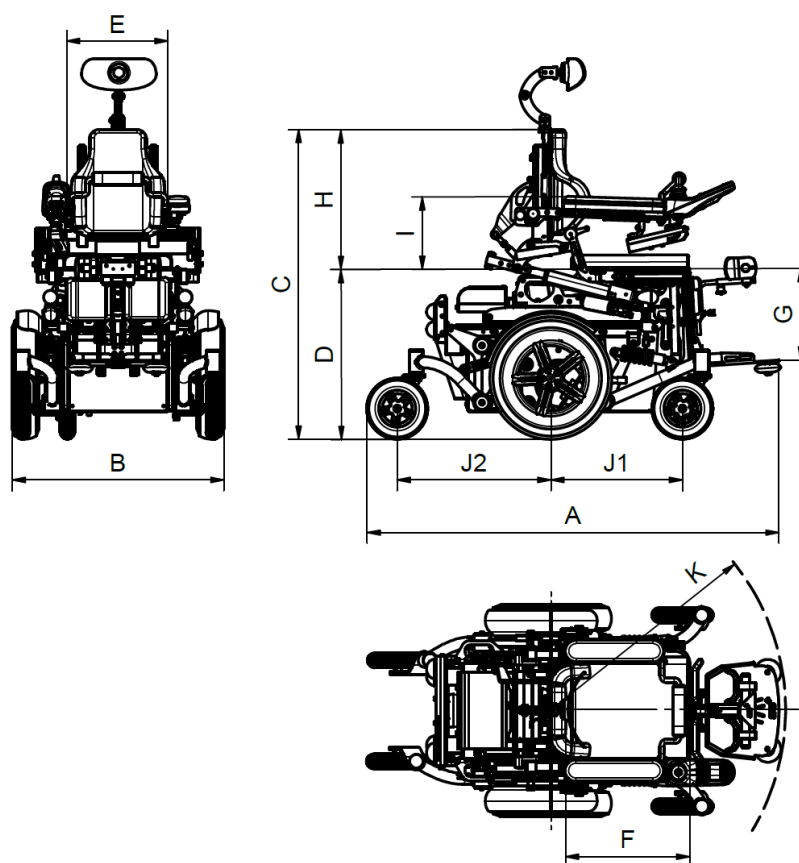
7.12.1. Technical data

Technical data		Swiss VIVA Junior S	
Drive type		MWD - centre wheel drive	
Dimensions			
A: Length	[mm]	1070 (minimum transport length approx. 990)	
B: Width	[mm]	590	
C: Height	[mm]	920	
D: Seat height min. - without lift module	[mm]	-	
D: Seat height min. - with lift module	[mm]	480 (530 with standard seat cushion)	
E: Seat width	[mm]	270 - 380	
F: Seat depth	[mm]	300 - 400	
G: Lower leg length	[mm]	150 - 460	
H: Back height	[mm]	300/350	
I: Armrest height	[mm]	210 - 300	
J: Wheelbase	[mm]	J1: 380 / J2: 440	
Remark: The dimensions may vary depending on the configuration.			
Weights			
Unladen weight - without lift module	[kg]	-	
Unladen weight - with lift module	[kg]	196	
User weight max.	[kg]	75	
Remark: Empty weights vary depending on the configuration.			
Performance			
Standard speed	[km/h]	8/12	
Speed - HMV - Max	[km/h]	6	
Speed - EBE - Max	[km/h]	12	
Braking distance	[m]	0.8	
Stability - static - uphill	[-]	30% / 16 °	
Stability - static - downhill	[-]	30% / 16 °	
Stability - static - lateral	[-]	11% / 6 °	
Stability - dynamic - uphill	[-]	16% / 9 °	
Obstacle height	[mm]	70	
Ground clearance	[mm]	75	
K: Turning radius	[mm]	650	
Range	[km]	35-40	
Remark: Level range, user weight 80kg. The range varies depending on the configuration, tyres and surface.			
Adjusting the seat			
Lift - Module (EPM)	[mm]	300	
Lift - MiniLift	[mm]	-	
Seat tilt - positive	[°]	0 - 45	
Seat tilt - negative	[°]	-	
Back angle	[°]	90 - 133	
Knee angle	[°]	90 - 172	
Standing function	[-]	yes	
Remark: Adjustment ranges vary depending on the configuration. The lifting process can be interrupted at any time during the upward or downward movement and fixed in any position.			
Tyres			
Dimensions - drive wheels	["]	3.00 - 8	
Dimensions - castors	["]	7 x 1 ¾	
Tyre pressure - drive wheels	[bar]	2.0 - 2.2	
Tyre pressure - castors	[bar]	2.5	

Electrics		
Main fuse	[A]	150
System voltage	[VDC]	24
Front lights	[VDC]	24
Rear lights	[VDC]	24
Drive motors	[W]	2 x 400
Batteries – 20h rate (C20)	[-]	2 x 12V/60Ah
Batteries – 5h rate (C5)	[-]	2 x 12V/52Ah
Batteries – weight	[kg]	2 x 20.5
Charger – mains connection	[-]	100-240VAC, 4A, 50/60Hz
Charger - charging connection	[-]	24VDC, 8A

Actuating forces		
Joystick and buttons	[N]	< 3
Decoupling the drive brake	[N]	< 65

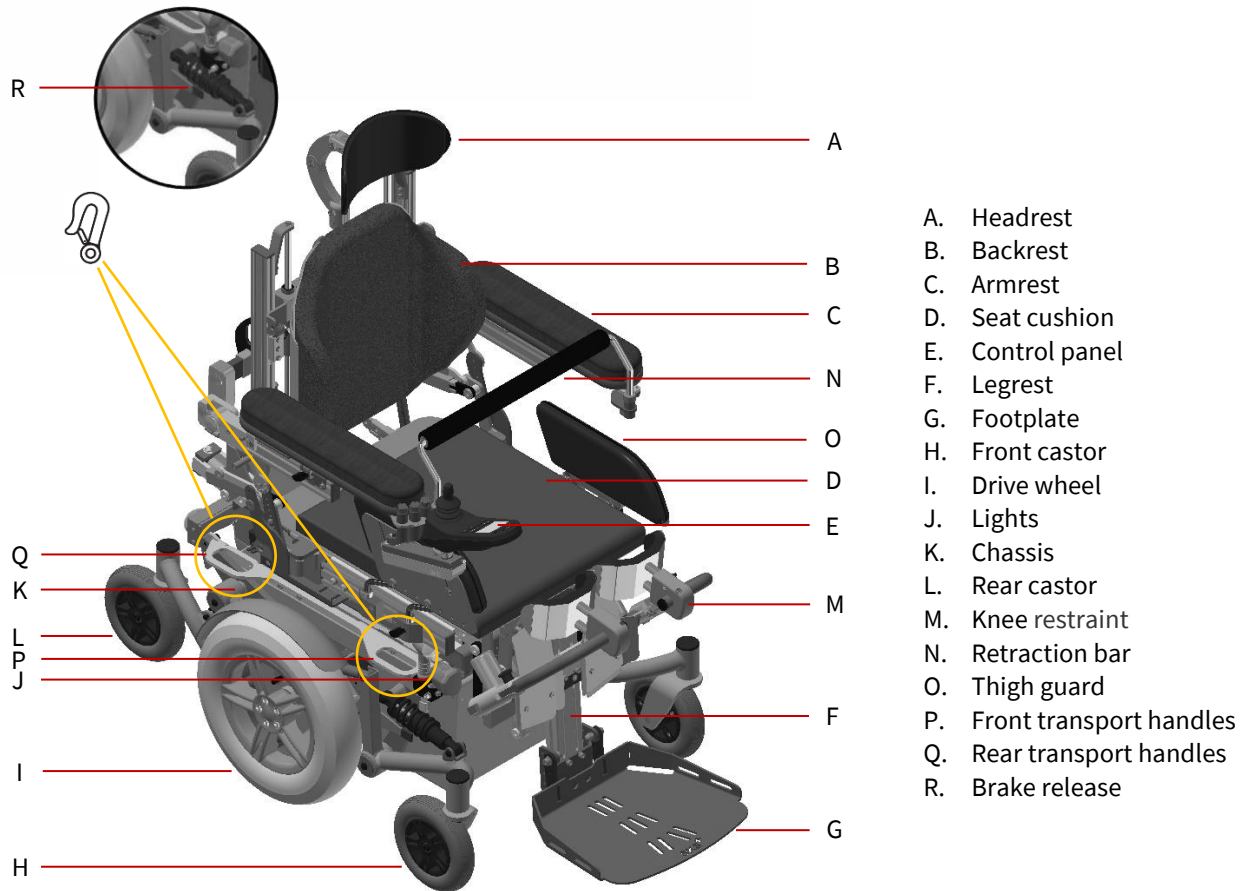
Transport			
Transport handles	[-]	yes	
EZ-Lock	[-]	-	
DAHL-Docking MK II	[-]	optional	Crash tested acc. ISO7179-19
4-point harness system	[-]	optional	Crash tested acc. ISO7179-19

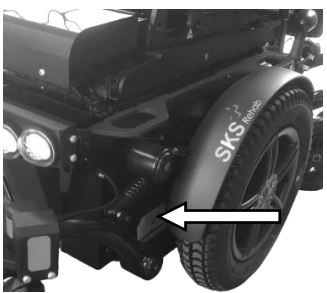
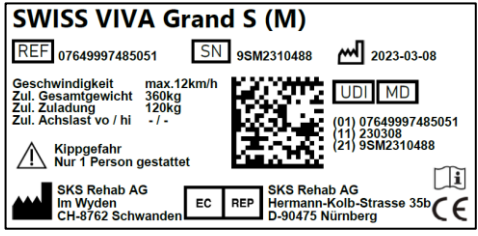
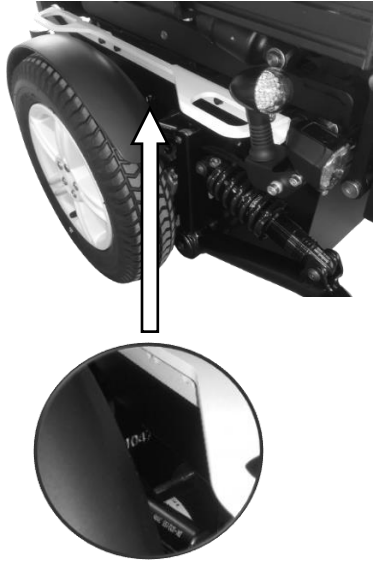


- A: Overall length measured over the entire power wheelchair.
- B: Width measured over the drive wheels.
- C: Height measured from floor to upper edge of back.
- D: Seat height measured from floor to seat (without seat cushion).
- E: Seat width measured between side upholstery.
- F: Seat depth measured from front edge to back.
- G: Lower leg length measured from seat to footplate (without seat cushion).
- H: Back height measured from seat to upper edge of back.
- I: Armrest height measured from the seat to the upper edge of the armrest upholstery.
- J: Axle distance.
- K: Turning radius measured between the centre of the drive wheels and the outer collision points.

7.13. Swiss VIVA Grand S (M)

Model:	Swiss VIVA Grand S (M)
Item number:	005.40.4012
UDI-DI:	07649997485051
Application class:	B



<p>Mounting location</p> 	<p>Type plate</p> 	<p>Chassis number</p> 
--	--	---

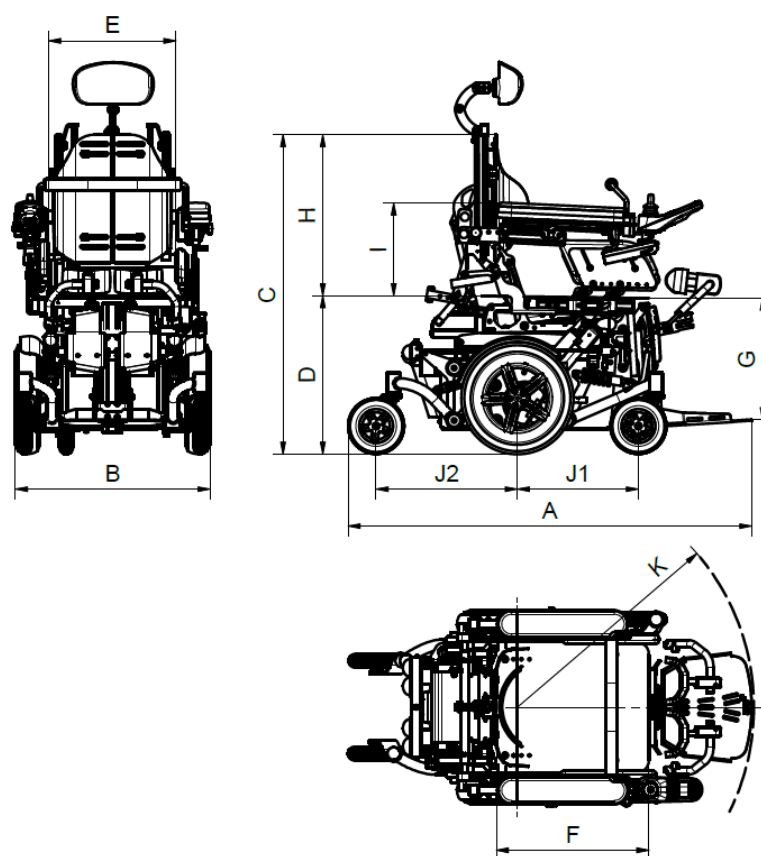
7.13.1. Technical data

Technical data		Swiss VIVA Grand S (M)
Drive type		MWD - centre wheel drive
Dimensions		
A: Length	[mm]	1100 (minimum transport length approx. 990)
B: Width	[mm]	590
C: Height	[mm]	920
D: Seat height min. - without lift module	[mm]	465 (515 with standard seat cushion)
D: Seat height min. - with lift module	[mm]	480 (530 with standard seat cushion)
E: Seat width	[mm]	380-480
F: Seat depth	[mm]	425-580
G: Lower leg length	[mm]	380-490
H: Back height	[mm]	400/480
I: Armrest height	[mm]	230-250
J: Wheelbase	[mm]	J1: 380 / J2: 440
Remark: The dimensions may vary depending on the configuration.		
Weights		
Unladen weight - without lift module	[kg]	188
Unladen weight - with lift module	[kg]	207
User weight max.	[kg]	120
Remark: Empty weights vary depending on the configuration.		
Performance		
Standard speed	[km/h]	8/12
Speed - HMV - Max	[km/h]	6
Speed - EBE - Max	[km/h]	12
Braking distance	[m]	0.8
Stability - static - uphill	[-]	30% / 16 °
Stability - static - downhill	[-]	30% / 16 °
Stability - static - lateral	[-]	11% / 6 °
Stability - dynamic - uphill	[-]	16% / 9 °
Obstacle height	[mm]	70
Ground clearance	[mm]	75
K: Turning radius	[mm]	650
Range	[km]	35-40
Remark: Level range, user weight 80kg. The range varies depending on the configuration, tyres and surface.		
Adjusting the seat		
Lift - Module (EPM)	[mm]	300
Lift - MiniLift	[mm]	120
Seat tilt - positive	[°]	0-30
Seat tilt - negative	[°]	-
Back angle	[°]	90-150
Knee angle	[°]	90-172
Standing function	[-]	yes
Remark: Adjustment ranges vary depending on the configuration. The lifting process can be interrupted at any time during the upward or downward movement and fixed in any position.		
Tyres		
Dimensions - drive wheels	["]	3.00 - 8
Dimensions - castors	["]	7 x 1 ¾
Tyre pressure - drive wheels	[bar]	2.0 - 2.2
Tyre pressure - castors	[bar]	2.5

Electrics		
Main fuse	[A]	150
System voltage	[VDC]	24
Front lights	[VDC]	24
Rear lights	[VDC]	24
Drive motors	[W]	2 x 400
Batteries – 20h rate (C20)	[-]	2 x 12V/60Ah
Batteries – 5h rate (C5)	[-]	2 x 12V/52Ah
Batteries – weight	[kg]	2 x 20.5
Charger – mains connection	[-]	100-240VAC, 4A, 50/60Hz
Charger - charging connection	[-]	24VDC, 8A

Actuating forces		
Joystick and buttons	[N]	< 3
Decoupling the drive brake	[N]	< 65

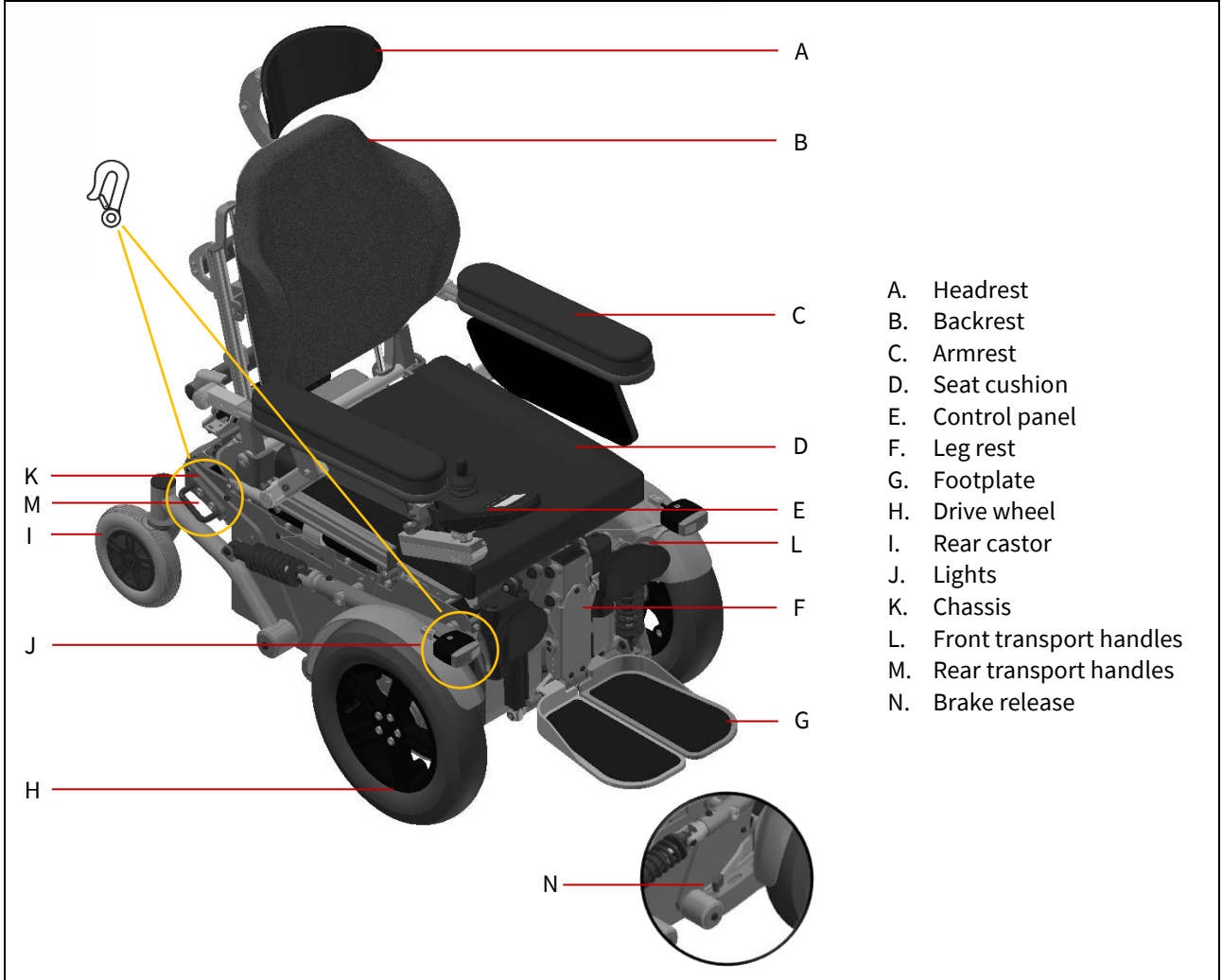
Transport			
Transport handles	[-]	yes	
EZ-Lock	[-]	-	
DAHL-Docking MK II	[-]	optional	Crash tested acc. ISO7179-19
4-point harness system	[-]	optional	Crash tested acc. ISO7179-19

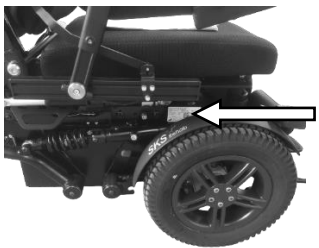
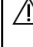



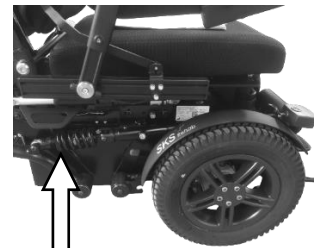



- A: Overall length measured over the entire power wheelchair.
- B: Width measured over the drive wheels.
- C: Height measured from floor to upper edge of back.
- D: Seat height measured from floor to seat (without seat cushion).
- E: Seat width measured between side upholstery.
- F: Seat depth measured from front edge to back.
- G: Lower leg length measured from seat to footplate (without seat cushion).
- H: Back height measured from seat to upper edge of back.
- I: Armrest height measured from the seat to the upper edge of the armrest upholstery.
- J: Axle distance.
- K: Turning radius measured between the centre of the drive wheels and the outer collision points.

7.14. Swiss VIVA Grand F

Model:	Swiss VIVA Grand F
Item number:	005.40.4020
UDI-DI:	7649997485068
Application class:	B



<p style="text-align: center;">Mounting location</p> 	<p style="text-align: center;">Type plate</p> <div style="border: 1px solid black; padding: 5px;"> <p style="text-align: center;">SWISS VIVA Grand F</p> <p>REF 07649997485068 SN 9F2310407 2023-09-06</p> <p>Geschwindigkeit max. 6km/h Zul. Gesamtgewicht 320kg Zul. Zuladung 136kg Zul. Achslast vo / hi - / -</p> <p> Kippgefahr Nur 1 Person gestattet</p> <p> UDI MD (01) 07649997485068 (11) 230906 (21) 9F2310407</p> <p> SKS Rehab AG EC REP SKS Rehab AG Im Wyden Hermann-Kolb-Strasse 35b CH-8762 Schwanden D-90475 Nürnberg </p> </div>	<p style="text-align: center;">Chassis number</p>  
--	---	---

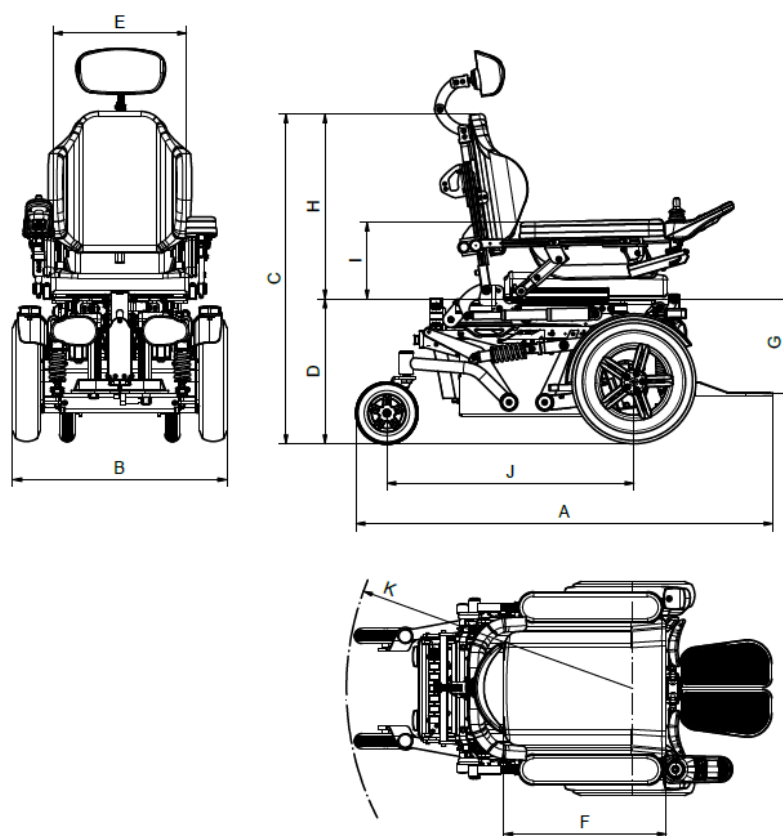
7.14.1. Technical data

Technical data		Swiss VIVA Grand F
Drive type	FWD - front-wheel drive	
Dimensions		
A: Length	[mm]	1100 (minimum transport length approx. 960)
B: Width	[mm]	590
C: Height	[mm]	920
D: Seat height min. - without lift module	[mm]	-
D: Seat height min. - with lift module	[mm]	400 (450 with standard seat cushion)
E: Seat width	[mm]	380-500
F: Seat depth	[mm]	400-540
G: Lower leg length	[mm]	440-520
H: Back height	[mm]	400/480
I: Armrest height	[mm]	140-400
J: Wheelbase	[mm]	700
Remark: The dimensions may vary depending on the configuration.		
Weights		
Unladen weight - without lift module	[kg]	-
Unladen weight - with lift module	[kg]	172
User weight max.	[kg]	136
Remark: Empty weights vary depending on the configuration.		
Performance		
Standard speed	[km/h]	8/12
Speed - HMV - Max	[km/h]	6
Speed - EBE - Max	[km/h]	12
Braking distance	[m]	0.8
Stability - static - uphill	[-]	16% / 9°
Stability - static - downhill	[-]	16% / 9°
Stability - static - lateral	[-]	11% / 6°
Stability - dynamic - uphill	[-]	11% / 6°
Obstacle height	[mm]	70
Ground clearance	[mm]	75
K: Turning radius	[mm]	660
Range	[km]	35-40
Remark: Level range, user weight 80kg. The range varies depending on the configuration, tyres and surface.		
Adjusting the seat		
Lift - Module (EPM)	[mm]	300
Lift - MiniLift	[mm]	-
Seat tilt - positive	[°]	0 - 40
Seat tilt - negative	[°]	-
Back angle	[°]	82 - 153
Knee angle	[°]	90 - 180
Standing function	[-]	-
Remark: Adjustment ranges vary depending on the configuration. The lifting process can be interrupted at any time during the upward or downward movement and fixed in any position.		
Tyres		
Dimensions - drive wheels	["]	3.00 - 8
Dimensions - castors	["]	7 x 1 ¾
Tyre pressure - drive wheels	[bar]	2.0 - 2.2
Tyre pressure - castors	[bar]	2.5

Electrics		
Main fuse	[A]	150
System voltage	[VDC]	24
Front lights	[VDC]	24
Rear lights	[VDC]	24
Drive motors	[W]	2 x 400
Batteries – 20h rate (C20)	[-]	2 x 12V/60Ah
Batteries – 5h rate (C5)	[-]	2 x 12V/52Ah
Batteries – weight	[kg]	2 x 20.5
Charger – mains connection	[-]	100-240VAC, 4A, 50/60Hz
Charger - charging connection	[-]	24VDC, 8A

Actuating forces		
Joystick and buttons	[N]	< 3
Decoupling the drive brake	[N]	< 65

Transport			
Transport handles	[-]	yes	
EZ-Lock	[-]	-	
DAHL-Docking MK II	[-]	optional	Crash tested acc. ISO7179-19
4-point harness system	[-]	optional	Crash tested acc. ISO7179-19



- A: Overall length measured over the entire power wheelchair.
- B: Width measured over the drive wheels.
- C: Height measured from floor to upper edge of back.
- D: Seat height measured from floor to seat (without seat cushion).
- E: Seat width measured between side upholstery.
- F: Seat depth measured from front edge to back.
- G: Lower leg length measured from seat to footplate (without seat cushion).
- H: Back height measured from seat to upper edge of back.
- I: Armrest height measured from the seat to the upper edge of the armrest upholstery.
- J: Axle distance.
- K: Turning radius measured between the centre of the drive wheels and the outer collision points.

8. Driving



WARNING

Operating instructions

For your own safety, the wheelchair must not be set up, maintained or operated without reading the operating instructions.

8.1. Control

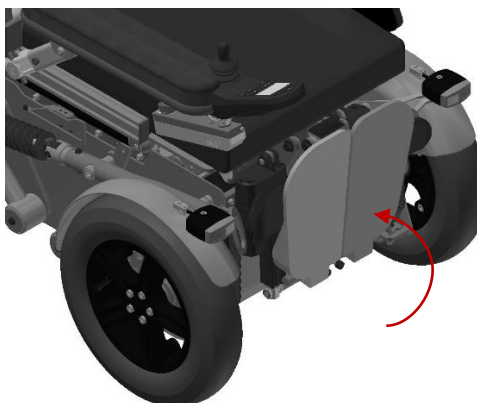
The following points must be checked before every journey:

- Are all elements (leg rests etc.) fixed?
- Is the control panel intact?
- Is the battery charge ok?
- Is the lighting ok?
- Are the brakes OK, can you hear the brakes clicking twice?

8.2. Transfer

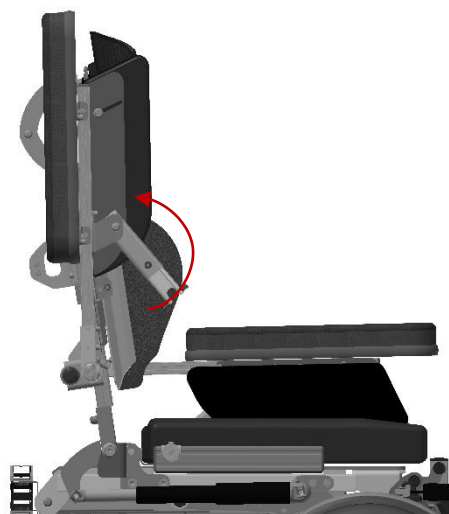
8.2.1. From the front

1. Make sure that the power wheelchair is switched off.
2. Make sure that the brakes are applied.
3. Position yourself with your seat so that the transfer is easiest for you.
4. Make sure that your seat cannot slip or roll away during the transfer.
5. Fold up the foot plates.
6. Make the transfer and position yourself optimally in the power wheelchair.
7. Refit all elements (e.g. leg rests, belt systems, etc.).
8. Make sure that you can operate the control panel safely.




8.2.2. From the side

1. Make sure that the power wheelchair is switched off.
2. Make sure that the brakes are applied.
3. Position yourself with your seat so that the transfer is easiest for you.
4. Make sure that your seat cannot slip or roll away during the transfer.
5. Fold up the armrest.
6. Make the transfer and position yourself optimally in the power wheelchair.
7. Refit all elements (e.g. leg rests, belt systems, etc.).
8. Make sure that you can operate the control panel safely.




8.3. Driving

	WARNING
	Driving
<ul style="list-style-type: none"> • Start your first test drives on level terrain and make sure you keep as much distance as possible from obstacles and danger spots. • Start your first journeys with the lowest driving profile and the lowest speed level. • When driving outdoors, always move the seat lift to the lowest position. • Avoid extreme steering movements. 	

1. Position yourself optimally in the power wheelchair and attach all elements (e.g. belt systems etc.).
2. Make sure that you can operate the control panel safely.
3. Switch on the control panel.
4. Switch to driving mode.
5. Select the lowest driving profile and the lowest speed level.
6. Now press the joystick in the desired direction. The more the joystick is deflected, the faster the wheelchair becomes.
7. If you want to brake, move the joystick to the centre position or release it. The joystick automatically jumps to the centre position.
8. As soon as the power wheelchair is stationary, it is secured by the motor brakes. The motor brake is audible by a short clacking sound.

8.4. Driving on uphill and downhill slopes

	WARNING
	Driving on uphill and downhill slopes
<ul style="list-style-type: none"> • Make sure that you only take uphill slopes greater than 10% with the backrest in a vertical position and the leg rests bent. The seat lift should not be raised more than 50 mm. There is an extreme risk of tipping. • On downhill slopes, make sure that you tilt the seat and backrest backwards so that you are still comfortable but there is as much weight as possible on the drive wheels. There is a risk of slipping. • Keep in mind that, especially off-road or on loose ground such as sand, grass, grit, etc., your vehicle could slide! Therefore, never drive on steep or unfamiliar terrain without the help of someone who can assist you if necessary. • Never drive on inclines or declines when there is a risk of slipping. In particular, this applies to slippery surfaces, black ice, snow, leaves, dirt roads, wet weather and dirty pavement. • Keep in mind that the braking distance on uphill and downhill slopes will be longer and manoeuvrability will be limited. • Do not lean forward on downhill slopes or when the vehicle is stationary; your wheelchair could start to slide. • Never approach obstacles at an angle, otherwise the power wheelchair could tip over. 	

Driving on uphill and downhill slopes takes some getting used to and requires extreme caution. For your first driving attempts, get someone to assist you and practice starting, stopping, steering and turning on uphill and downhill slopes.

To do this, start with the lowest driving profile and steer extremely carefully with the joystick.

When (and only when!) you feel safe, switch to a higher driving profile.

Always approach uphill or downhill slopes head-on, never at an angle.

Choose a direct route; do not zigzag!


Your SKS power wheelchair is optimised in such a way that the necessary power is always provided when going uphill. Conversely, the motors act like brakes when going downhill, so you can safely control your vehicle as long as the grip of the wheels on the ground is guaranteed.

If your power wheelchair features seat tilting, tilt all the way back on a downhill slope for the best possible traction.

Even on steep terrain, you can stop at any time by moving the joystick to the centre position or simply letting go.


When stationary, the wheelchair is secured by the motor brake.

8.5. Overcoming obstacles

	WARNING
	Driving
<ul style="list-style-type: none"> • Always approach obstacles directly (not at an angle). • It is essential that you move the backrest forwards and the seat tilt and seat lift downwards. • There is a danger of tipping over! • In case of doubt, you should only overcome obstacles with the help of another person in order to avoid dangerous situations. 	


Depending on the model, your power wheelchair can climb up and down obstacles at different heights. Drive up to an obstacle straight on, then push the joystick all the way forward until the rear wheels have cleared the obstacle.

8.6. Driving in vehicles

	WARNING
	Driving in vehicles
Always switch to the lowest driving profile when using your chair in vehicles (train, tram, bus, etc.).	


Always switch to the lowest driving profile when using your chair in vehicles (train, tram, bus, etc.).
If your power wheelchair is equipped with a gyro, please follow the instructions under Driving with gyro.

8.7. Driving with gyro

	WARNING
	Driving with gyro
Never use the "GYRO active" driving profile on moving surfaces such as buses, trams, etc.	


In order to achieve more stable straight running, a gyrator is installed in some use cases. The gyrator uses the drives to compensate for influences from the ground such as inclined ramps, obstacles, etc.
If your power wheelchair is equipped with a gyro, this is only active in the "GYRO active" driving profile. Never use this driving profile on surfaces that are in motion. So never in vehicles such as cars, buses, trains, subways, etc., and also never on loading ramps or in elevators.

8.8. Stopping/parking/getting out

	WARNING
	Switching off
For safety reasons, always switch off your power wheelchair before getting out or transferring.	

Stop your vehicle at the desired location. If you want to park, then switch off the control unit now.

8.9. Pushing by hand

	WARNING
	Manual brakes
As soon as the brakes have been manually released, your power wheelchair is in a state that is not secured and not braked! This means that it could roll away by itself if the ground is sloped.	

Your wheelchair can also be pushed by hand, despite the electric drive and brakes.
To do this, the brakes must be unlocked (see product information). Use the push bar provided on the back to push the chair.

9. R-Net operation

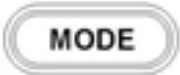

Your power wheelchair can be fully controlled from the control panel. The control panel features a joystick, function keys and display.

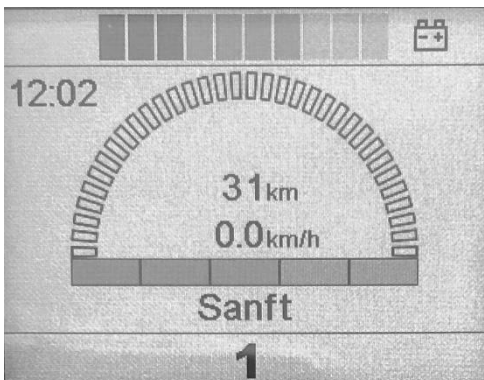
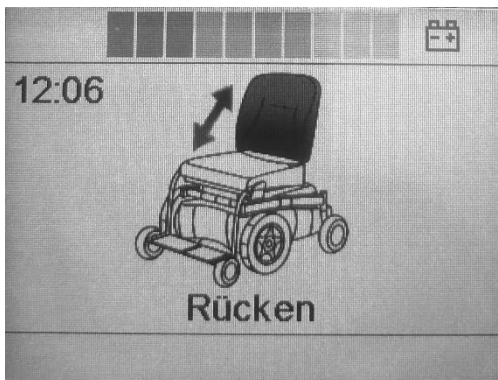
The wheelchair can be driven in driving mode.

The seat positions can be adjusted in seat adjustment mode.

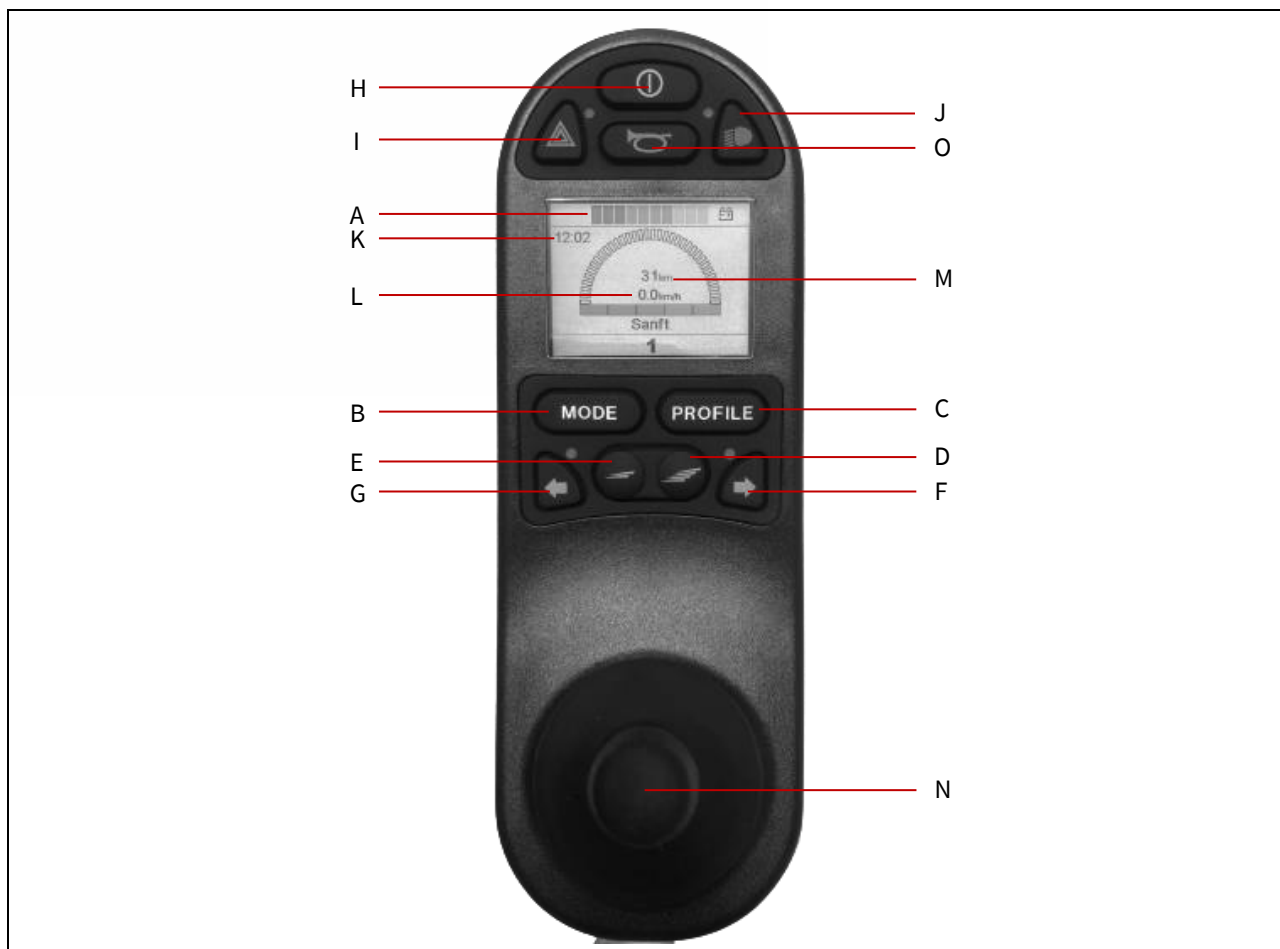
Other modes (e.g. Bluetooth or infrared) are available depending on the configuration.

The joystick can be used to scroll through the menu in addition to the wheelchair movements (driving, seat adjustments).

	<p>The Mode button can be used to switch between the different modes (driving, seat adjustment, etc.).</p>
	<p>The Profile button can be used to switch between the various driving profiles (Gentle, Medium, Fast, etc.). The various travel profiles limit the maximum final speed, regardless of the travel signal transmitter.</p>

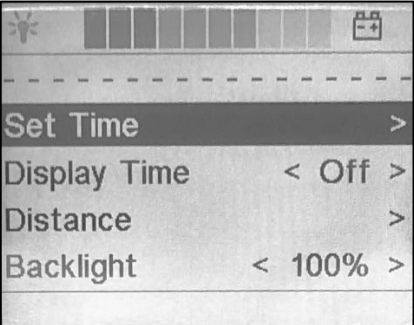
Example of driving mode	Example of seat mode
	

9.1. Control panel CJSM



A	Battery indicator	Displays the state of charge of the batteries
B	Mode	Select the appropriate mode (e.g. driving or seat adjustment)
C	Profile	Select the appropriate driving profile
D	Increase speed	Increase speed level
E	Reduce speed	Reduce speed level
F	Indicator right	Switch right indicator on/off
G	Indicator left	Switch left indicator on/off
H	On/Off	Switch power wheelchair on/off
I	Hazard warning lights	Switch hazard warning lights on/off
J	Lights	Switch front/rear lights on/off
K	Time of day	Current time
L	Speed display	Current speed
M	Mileage	Current mileage
N	Joystick	Control element
O	Horn	Horn on activation

9.1.1. Settings menu CJSM

	<p>The Settings menu allows the user to set the clock, screen brightness, background colour, etc.</p> <ol style="list-style-type: none"> 1. Switch on the control unit (H button). 2. Press button E + button D simultaneously and hold for 2 seconds. 3. You are now in the Settings menu. <p>Scroll through the menu by moving the joystick forwards and backwards. Move the joystick to the right to open a submenu with the corresponding function options.</p> <p>To exit the Settings menu, select Exit at the end of the menu and then move the joystick to the right.</p>
---	--

Set Time This allows the user to set the current time.

Display Time This can be used to set or switch off the time display format.
Available options: 12h, 24h or Off.

Distance
Total Distance This value is stored in the power module. It provides information on the total distance travelled during the time in which the current power module was installed.

Trip Distance This value is saved in the joystick module. It provides information on the total distance travelled since the last reset.

Display Distance This determines whether the total distance or distance travelled is displayed on the joystick module's odometer.

Clear Trip Distance Move the joystick to the right to delete the distance travelled value.

Backlight This is used to adjust the screen brightness.
Setting range: 0-100%.


Background This adjusts the background colour.
Available options: White, Blue, Automatic

9.2. Control panel CJSM2/Omni2



A	Battery indicator	Displays the state of charge of the batteries
B	Mode	Select the appropriate mode (e.g. driving or seat adjustment)
C	Profile	Select the appropriate driving profile
D	Increase speed	Increase speed level
E	Reduce speed	Reduce speed level
F	Indicator right	Switch right indicator on/off
G	Indicator left	Switch left indicator on/off
H	On/Off	Switch power wheelchair on/off
I	Hazard warning lights	Switch hazard warning lights on/off
J	Lights	Switch front/rear lights on/off
K	Time of day	Current time
L	Speed display	Current speed
M	Mileage	Current mileage
N	Joystick	Control element
O	Horn	Horn on activation
P	Profiles/Modes (CJSM2 only)	Scroll through profiles and modes

9.2.1. CJSM2/Omni2 Settings menu

	<p>The Settings menu allows the user to set the clock, screen brightness, background colour, etc.</p> <ol style="list-style-type: none"> 1. Switch on the control unit (H button). 2. Press button I (hazard warning lights) and hold for 2 seconds. 3. You are now in the Settings menu. <p>Scroll through the menu by moving the joystick forwards and backwards. Move the joystick to the right to open a submenu with the corresponding function options.</p> <p>To exit the Settings menu, select Exit at the end of the menu and then move the joystick to the right.</p>
---	--

Time

Set Time This allows the user to set the current time.

Display Time This can be used to set or switch off the time display format.
Available options: 12h, 24h or Off.

Distance

Total Distance This value is stored in the power module. It provides information on the total distance travelled during the time in which the current power module was installed.

Trip Distance This value is saved in the joystick module. It provides information on the total distance travelled since the last reset.

Display Distance This determines whether the total distance or distance travelled is displayed on the joystick module's odometer.

Clear Trip Distance Move the joystick to the right to delete the distance travelled value.

Backlight

Backlight

This is used to adjust the screen brightness.

Setting range: 0-100%.

Auto Backlight

The joystick module has an ambient light sensor to automatically adjust the screen brightness.

Programmable options: Off (Off) or On (On).

If the On setting is selected, the screen brightness is adjusted using the light sensor. If the Off setting is selected, the screen brightness does not change when the ambient light changes.

Backlight Timeout

This sets the activity time for the screen lighting after no further commands are received from an input device. Setting range: 0-240 seconds.

Bluetooth

Move the joystick to the right to access the Bluetooth setup submenu. Further details can be found in the "Bluetooth" chapter.

IR-Setup

Move the joystick to the right to access the IR setup submenu. Further details can be found in the "IR mode" chapter.

Programming

Sleep-Timer

This sets the time after which the control system switches to energy-saving mode if no more commands are received from an input device.

Sounder Volume

This sets the volume of the sound signal when a button is pressed.

Horn Volume

This is used to set the horn volume.

Start-Up Beep

This is used to set whether the controller emits a short beep signal when it is switched on.

Momentary Screens

This determines whether programmed short-time screens are displayed.

Display Speed

This determines how the wheelchair speed is displayed. Available options are mph, km/h or Off.

Displays

This sets the digital display for the drive.

Diagnostics

This allows the user to call up diagnostic information from the control system.

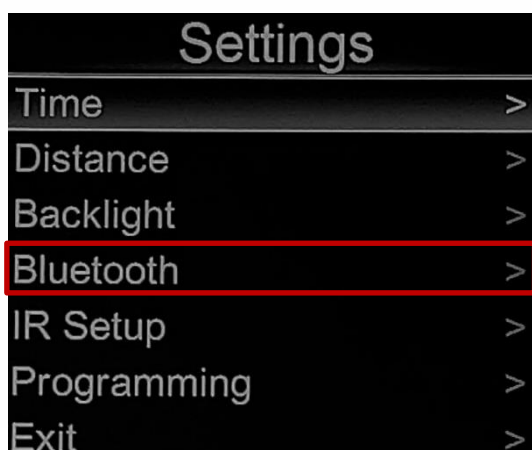
Timers

This allows the user to display the number of operating hours for the wheelchair.

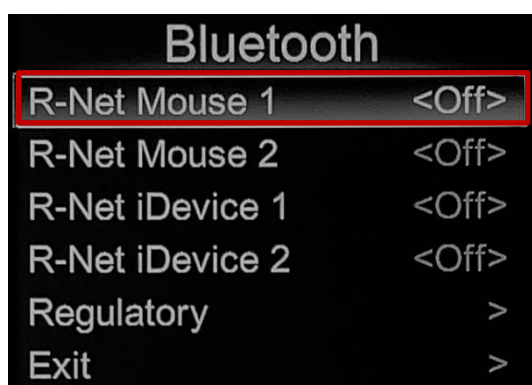
9.2.2. Bluetooth CJS2/Omni2

Pairing setup

A device must be set to On in the Settings menu before pairing is possible. Follow the description below.



Press the button for the hazard warning light for 2 seconds to call up the Settings menu.
Select Bluetooth.



The screen now displays the submenu as shown. Select a device and move the joystick to the right to set it to On. The R-Net system must now be switched off and then switched on again. The name of each device can be changed on a computer on which the R-Net programming software is installed.



The Bluetooth control panel must then be set to discovery mode as follows:

- Move the joystick forwards and hold it in this position until a signal tone is emitted. This takes around 10 seconds. Now release the joystick.
- Move the joystick backwards and hold it in this position until a signal tone is emitted. This takes around 10 seconds. Now release the joystick.

A flashing Bluetooth symbol appears on the screen above the computer image. This confirms that the Bluetooth control panel is in discovery mode. It is now recognisable for other Bluetooth devices.

Pairing with devices

Depending on the type of device to be paired – PC, Android device or iDevice – you need to follow a specific sequence of steps in relation to the device in question.

Pairing with a PC

The following steps must be carried out on a PC:

1. Open the window in which you can select a Bluetooth device to be added to the PC. The name and path differ slightly in different versions of Windows.
2. Enter the password 1234 when prompted.
3. Click on R-Net Mouse X when it appears on the screen. The connection is then established. The R-Net mouse now appears in the list of devices on the PC.
4. When a connection has been established, the Bluetooth symbol on the control panel display stops flashing.

Pairing with an Android device

The following steps must be carried out on the Android device:

1. Call up the system settings and activate Bluetooth.
2. Select R-Net Mouse X from the list of available devices.
3. Enter the password 1234 when prompted.
4. R-Net Mouse X should now appear as a device that has been paired with.
5. When a connection has been established, the Bluetooth symbol on the control panel display stops flashing.

Pairing with an iDevice

The following steps must be carried out on the iDevice.


1. Call up the settings and activate Bluetooth.
2. Select R-Net iDevice X from the list of available devices.
3. R-Net iDevice X should now appear as a device that has been paired with.
4. When a connection has been established, the Bluetooth symbol on the control panel display stops flashing.

Updating the device list

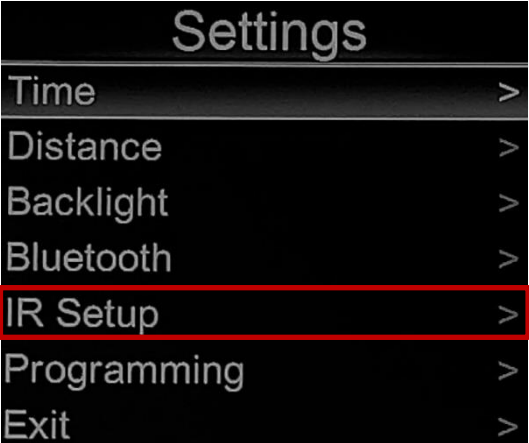


The Bluetooth IDs for up to four devices are stored in the control panel. To replace an entry in the device list, one of the existing pairings must be deleted. This process is started via the paired device and differs depending on the device type. Once the pairing for a device has been cancelled, a new device can be added.

Operating Bluetooth

Once pairing with the corresponding device has been completed, it can now be controlled via the control panel.


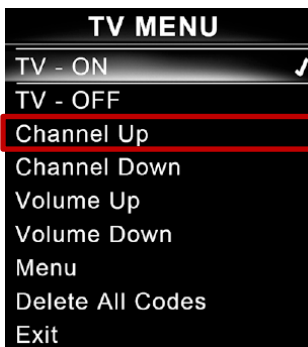


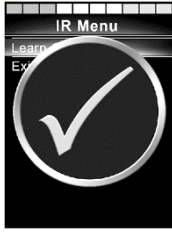
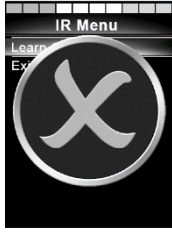
	<p>Use the "MODE" button to switch to the desired Bluetooth device.</p> <p>Basic functions: Move the joystick to move the cursor on the device screen.</p> <p>Left-click: Joystick briefly to the left Right-click: Joystick briefly to the right Double-click: Joystick 2x briefly to the left</p> <p>Scroll: Device-dependent. Move the cursor to the scroll bar and move the joystick forwards or backwards to scroll</p>
--	--

9.2.3. Infrared CJSM2/Omni2


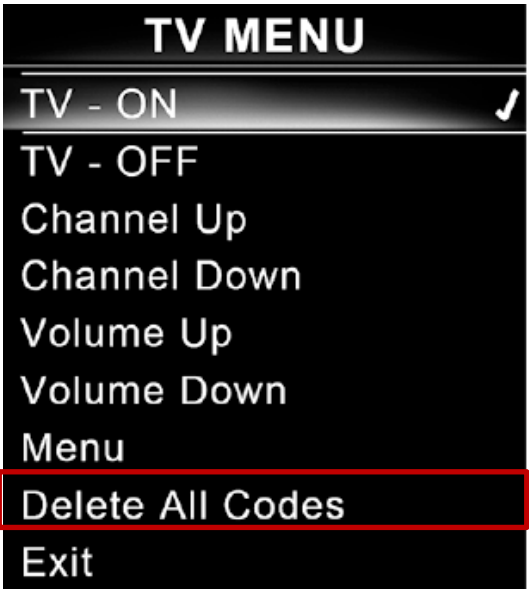

 <p>Settings</p> <ul style="list-style-type: none"> Time > Distance > Backlight > Bluetooth > IR Setup > Programming > Exit > 	<p>Press the button for the hazard warning light for 2 seconds to call up the Settings menu. Select IR Setup.</p>
 <p>IR Setup</p> <ul style="list-style-type: none"> TV 1 > Cable/Satellite > DVD 1 > DVD Recorder > Music > Device 1 > Device 2 > Delete All Codes Exit 	<p>When you open the IR Setup menu, the standard devices appear. When you select a device, the associated commands appear.</p>
 <p>TV MENU</p> <ul style="list-style-type: none"> TV - ON ✓ TV - OFF Channel Up Channel Down Volume Up Volume Down Menu Delete All Codes Exit 	<p>If a check mark is displayed after a command, an IR code has been saved for the command. If a command is not checked, the corresponding IR code has not yet been saved.</p> <p>Saving and deleting IR codes is described in the following sections.</p>

Teaching an IR code


The IR receiver is located above the control panel display. When learning codes, the remote control must be held so that its IR transmitter points towards the IR receiver on the control panel.

	<p>Open the IR Setup menu. Select a device, e.g. TV 1, as shown.</p>
	<p>The commands for the device appear on the screen. Select a command for teach-in. In this example, Channel Up is selected from the TV MENU.</p>
	<p>Select Learn Code by moving the joystick to the right when the command is highlighted.</p>
	<p>Point the TV remote control at the IR receiver on the control panel and press the "Channel Up" button twice.</p>
	<p>When the process has been successfully completed, a green check mark appears on the screen.</p>
	<p>If the process fails, a red cross appears on the screen. Please try the process again.</p>

Deleting IR codes

 <p>IR Menu</p> <ul style="list-style-type: none"> Learn Code Delete Code Exit 	<p>To delete an IR code for a specific command, highlight the command in the device menu and move the joystick to the right. Then select the Delete Code option.</p>
 <p>TV MENU</p> <ul style="list-style-type: none"> TV - ON ✓ TV - OFF Channel Up Channel Down Volume Up Volume Down Menu Delete All Codes Exit 	<p>To delete all IR codes for a device, select Delete All Codes in the submenu for the device.</p>
 <p>IR Setup</p> <ul style="list-style-type: none"> TV 1 > Cable/Satellite > DVD 1 > DVD Recorder > Music > Device 1 > Device 2 > Delete All Codes Exit 	<p>To delete all IR codes stored in the control panel, select Delete All Codes in the IR Setup menu.</p>

9.3. Immobiliser

	NOTE
	Immobiliser
If required, the immobiliser must first be activated before it can be used. Contact your specialist dealer if required.	

9.3.1. Activate immobiliser

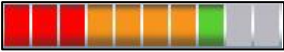















1. Switch on the wheelchair.
2. Press the On/Off button until you hear a beep.
3. Press the joystick forwards until you hear a beep.
4. Pull the joystick backwards until you hear a beep.
5. Release the joystick and you will hear a long beep.
6. The wheelchair is now locked.




9.3.2. Deactivating the immobiliser

1. Switch on the wheelchair.
2. Press the On/Off button until you hear a beep.
3. Pull the joystick backwards until you hear a beep.
4. Release the joystick and you will hear a long beep.
5. The wheelchair is now unlocked.

9.4. Display

	Battery indicator shows the current battery charge.	
	Dormant:	Everything in order
	Flashing:	The system is fine, but you should charge the batteries as soon as possible.
	Ascending:	The batteries are charging; the charger is connected to the mains. You cannot drive until the charger is unplugged and the control unit is turned off and on again.
	If the system has more than one control panel, this symbol is displayed on the respective control panel that is currently in control.	
	This symbol indicates that the maximum speed has been reduced because, for example, the lift or the stand-up mechanism is raised and driving at high speed could be dangerous.	
	When driving is prevented, this symbol flashes red in the display.	
	This symbol lights up when the system has had to intentionally reduce motor power to protect the motors from overheating.	
	This symbol lights up when the system has had to reduce power as a precaution to protect itself from overheating.	
	This screen shows which seat adjustment can be controlled.	
	This symbol appears in the display when Bluetooth mode is enabled.	
	This symbol indicates that the system needs a restart. Switch the control unit off and then on again.	
	This symbol indicates that the control unit is in the process of switching to another mode, e.g. switching to programming mode (only possible with a dongle connected).	
	This symbol lights up before the system enters a power-saving sleep mode.	
	This symbol indicates that an operation was completed successfully.	
	This icon indicates that an operation could not be completed.	
	This symbol lights up if the external mode switch is operated while driving or while a seat adjustment is being made.	
	This symbol flashes in the display if the joystick is pushed before the system is fully on. If you release the joystick within 5 seconds, the wheelchair can be moved. If it remains pushed for longer than 5 seconds, a diagnostics message is shown in the display and the wheelchair cannot be driven. The control unit first has to be switched off and then on again. However, make sure that the joystick is not being pushed during power-up.	
	If this symbol appears, it means the immobiliser has been activated.	

9.5. Error messages

<p>Module concerned</p> <p>Error</p>	
<p>Bad Cable</p>	<p>The system has detected a faulty connection on one of the module connection cables. Carry out the following tests and switch off and on again after each test. Check that all connectors are firmly plugged in. If something yellow is visible, the connection may not be OK. Check all cables for signs of damage. If damage to a cable is suspected, check that it is complete. If the problem persists, swap the cables with each other.</p>
<p>Bad Settings</p>	<p>Appears if the system detects incorrect or invalid programming data. Check the programmed settings of the system, especially in the profiles and in the configuration groups. If you do not detect any incorrect settings, save all current settings in a file, reprogramme the system with the manufacturer's default settings and switch off and on again. If the error persists, the electronics may be faulty, contact your customer service centre. If the error has been eliminated by the procedure described above, programme each group of parameters individually using the saved file. If the error occurs again, it was caused by a parameter in the last programmed group. You should therefore check all settings in this group carefully.</p>
<p>Brake Lamp Short</p>	<p>The intelligent seat/light module (ISM) has detected an overcurrent at the output for the brake light. Check the cables and connectors to the brake lights and switch off and on again.</p>
<p>Cal Error</p>	<p>A calibration error has occurred. This error can possibly be rectified by calibrating the joystick in the on-board programming.</p>
<p>Center Joystick</p>	<p>The most likely cause of this is that the joystick (or another input device) is not in the zero position when the system is switched on. When switching on the system, make sure that the joystick is in the zero position.</p>
<p>Charging</p>	<p>The module reporting the error has detected that a charger is connected. It is either connected to the external charging socket on the joystick module or a built-in charger has been connected to the AC line. To reset the system, unplug the external charger from the wheelchair or disconnect the built-in charger from the AC cable and switch it off and on again.</p>
<p>DIME Error</p>	<p>The system has detected a detection conflict between the connected modules. If a new module has been connected, unplug it and switch it off and on again. If this eliminates the fault, the problem is caused by the new module and you should contact your customer service centre. If the error persists, unplug the modules individually and switch them off and on again. Once the defective module has been identified, contact your customer service centre. If the module causing the error could not be identified, you should contact your customer service centre.</p>
<p>Encoder Module Disconnected</p>	<p>This is displayed if the control system detects that the pulse generator module is not connected. Check all cables and connections between the electronics connection, the pulse generator module and the pulse generator cables and then switch off and on again.</p>
<p>Gone to Sleep</p>	<p>The system is on standby because the period of inactivity is longer than the programmed value for the standby time. Switch off and switch on again to activate the system.</p>

High Battery	The module reporting the error has detected a battery voltage above 35V. The most common reasons for this are Overcharging of the battery or faulty connection between battery and electronics. Check the function of the charger and all cables and connections between the battery and the electronics.
Ind Lamp Failed	The intelligent seat/light module (ISM) has detected an error in the indicator circuits of the wheelchair. If you have access to the four-digit error codes, 882C indicates that the connection to both indicators on one side has been interrupted and 883C that only one bulb is faulty. Check the bulbs on all indicators and the cables and connectors for all indicators and switch off and on again.
Inhibit Active	The system has detected that the operation has been blocked. The cause of the lock depends on the wheelchair you are working with, but examples include connecting a charger or a seat that is raised. Eliminate the possible cause of the lock and switch off and on again. If the error persists and you are sure that the lock is not caused by the operation of the wheelchair, it is possible that a connection for the locking circuit has come loose. Blocking circuits can be connected to the electronics or to the intelligent seat/light module (ISM). The electronics contain blocking circuits 2 and 3 and the ISM contains blocking circuits 4 and 5. If you have access to the four-digit error codes that begin with "1E", the last two digits represent the active disable circuit. For instance error code 1E03 means blocking circuit 3. If the last two digits are not 02, 03, 04 or 05, then the block is probably caused by a module other than the PGDT module. Check the cables to all locking circuits and switch off and on again.
Joystick Disconnected	The joystick is not connected. Please check the connections and try operating the joystick again.
Joystick Error	The module reporting the error has detected an error on the joystick that is connected to it. If permitted, ensure that the correct antistatic and calibration procedures are used.
L Ind Lamp Short	The intelligent seat/light module (ISM) has detected an overcurrent at the output for the left indicator. Check the cables and connectors to the left indicator and switch off and on again.
Left Lamp Short	The intelligent seat/light module (ISM) has detected an overcurrent at the output for the left-hand headlight. Check the cables and connectors to the left-hand headlight and switch off and on again.
Low Battery	The module reporting the error has detected a low battery voltage. The voltage is different for the various modules as they are designed for different minimum voltages. Charge the batteries. If the problem persists, check the condition of the batteries and all cables and connectors to the batteries and recharge them.
M1 Brake Error	The electronics have detected that the brake connected to its M1 output is no longer connected. Whether the M1 output is for the left or right brake depends on the configuration of the wheelchair and the programming of the electronics. Check that the freewheel levers are not disengaged from neutral, check all cables and connections between the M1 connector of the electronics and the brake and switch off and on again.
M1 Motor Error	The electronics have detected that the motor connected to its M1 output is no longer connected. Whether the M1 output is for the left or right motor depends on the configuration of the wheelchair and the programming of the electronics. Check all cables and connections between the M1 connector of the electronics and the motor and switch off and on again.

M1 Sensor Error	The control system has detected an error when connecting the pulse generator module to the M1 output. Whether the M1 output is for the left or right motor depends on the configuration of the wheelchair and the programming of the electronics. Check all cables and connections between the M1 connection of the electronics, the pulse generator module and the pulse generator cables and then switch off and on again.
M2 Brake Error	The electronics have detected that the brake connected to its M2 output is no longer connected. Whether the M1 output is for the left or right brake depends on the configuration of the wheelchair and the programming of the electronics. Check that the freewheel levers are not disengaged from neutral, check all cables and connections between the M2 connector of the electronics and the brake and switch off and on again.
M2 Motor Error	The electronics have detected that the motor connected to its M2 output is no longer connected. Whether the M2 output is for the left or right motor depends on the configuration of the wheelchair and the programming of the electronics. Check all cables and connections between the M2 connector of the electronics and the motor and switch off and on again.
M2 Sensor Error	The control system has detected an error when connecting the pulse generator module to the M2 output. Whether the M2 output is for the left or right motor depends on the configuration of the wheelchair and the programming of the electronics. Check all cables and connections between the M2 connection of the electronics, the pulse generator module and the pulse generator cables and then switch off and on again.
Memory Error	A repair may be required on one of the modules in the system. Check all cables and connectors to the modules and switch off and on again. If the error persists, unplug the modules one after the other and switch off and on again each time to see whether the problem has occurred on a specific module. If the error can be rectified by unplugging a specific module, contact your customer service for this module. If the error cannot be rectified by unplugging a specific module, reprogramme the system.
Module Error	The module reporting the error may need to be repaired. Check all cables and connectors to the module and switch off and on again. If the error persists, contact your customer service centre.
Over Pressure	Omni has detected that the pressure at the suction and blowing sensor has exceeded the maximum value. Check that the user is operating the suction and blowing device correctly.
Over-current	The intelligent seat/light module (ISM) has detected an overcurrent in the circuits for the wheelchair's adjustment motors. Check the cables and connectors to all adjustment motors of the wheelchair and switch off and on again. If the error persists, check that the adjustment motor mechanisms are working correctly. If there are obstructions or too much friction in the system, too much current can be absorbed in the ISM. Also check that all limit stop switches are functioning correctly and disconnect an adjustment motor from the power supply.
Overtemp. (Acts)	The Intelligent Seat/Light Module (ISM) has detected that the internal adjustment motor circuit(s) has overheated. The ISM disconnects the current from the variable speed motor channel that is drawing too much current. Check the cables and connections to this channel, allow the ISM to cool down and switch off and on again. If the error persists, check that the adjustment motor mechanism is working properly. If there are obstructions or too much friction in the system, more heat is generated in the ISM.
Overtemp. (Lamps)	The Intelligent Seat/Light Module (ISM) has detected that the internal lighting circuit(s) are overheating. The ISM disconnects the current from the lamp that

	is drawing too much current. Check the cables and connections to this lamp, allow the ISM to cool down and switch off and on again.
Power Module Memory Error	An error has occurred in the electronics. Check all cables and connectors to the electronics, switch off and switch on again. If the error persists, reprogramme the system. This should be carried out either with the currently valid programme for this wheelchair or with the manufacturer's original programme.
R Ind Lamp Short	The Intelligent Seat/Light Module (ISM) has detected an overcurrent at the output for the right indicator. Check the cables and connectors to the right indicator.
Right Lamp Short	The intelligent seat/light module (ISM) has detected an overcurrent at the output for the right-hand headlight. Check the cables and connectors to the right-hand headlight and switch off and on again.
SID Disconnected	Omni has detected that the special control (SID) is no longer connected. Check all cables and connectors between the Omni and the special control unit. If the error persists, check that the setting of the "9-Way Detect" parameter is suitable for the special control used. If, for example, the special control has no detection connection, this parameter should be set to OFF.
System Error	The system has detected an error, but cannot determine which module is reporting the error. Check all cables and connections and switch off and on again. If the problem persists and the system contains modules other than PGDT modules, unplug these modules and switch them off and on again. If this eliminates the error, reconnect the other modules one by one until the error reappears. Once the defective module has been identified, contact your customer service centre. If the problem persists, there is an error in one of the PGDT modules and you should contact your customer service centre.
User Switch Disconnected	Omni has detected that the input device is no longer connected. Check all cables and connections between the Omni and the input device. If the error persists, contact your customer service centre. If Omni must be used without an input device, the "Switch Detect" parameter should be set to Off. If no input device is used, the responsibility for this decision lies with the therapist.

10. Batteries/charger

Your power wheelchair is powered by two 12V gel batteries as standard (you will find more detailed information in the technical data). These batteries have been specially selected for operating the SKS power wheelchair. We recommend that you always use the same or equivalent type of batteries.

Gel batteries are maintenance-free and therefore do not require special inspection.


How often the wheelchair batteries need to be recharged depends on several factors, e.g. how the wheelchair is used, the temperature and how old the batteries are.

All batteries gradually lose capacity over the course of their life cycle.


10.1. Loading principles

To maximise the service life of the batteries, you should observe the following principles:

- Always charge the batteries immediately after they have been discharged
- The batteries should never be fully discharged
- Standing around uncharged is bad for the batteries
- You benefit most when you have your full energy reserve available again
- If possible, always fully charge the batteries
- Fully charge the batteries at least once a week
- If you have the feeling that the range of your power wheelchair is starting to decrease, organise a battery change at your specialist dealer in good time

	NOTE
	Charging habit
Take <u>every</u> opportunity to recharge your batteries. This is not harmful with this type of battery! It is not possible to overcharge the batteries.	


10.2. Charging time

	NOTE
	Charging time
The exact charging time of the batteries depends on the type, age, charge level and various other factors. In principle, the charging time for a full charge is between 10-12 hours.	

10.3. Battery capacity

The batteries and battery capacities vary depending on the model and configuration of your power wheelchair (you will find more detailed information in the technical data).

The gel batteries used only reach their full capacity after approx. 8 full charges. This means that you may have a shorter range with your power wheelchair with new batteries.

	NOTE
	Capacity
New gel batteries must first be fully charged several times to reach their full capacity.	

10.4. Charging process

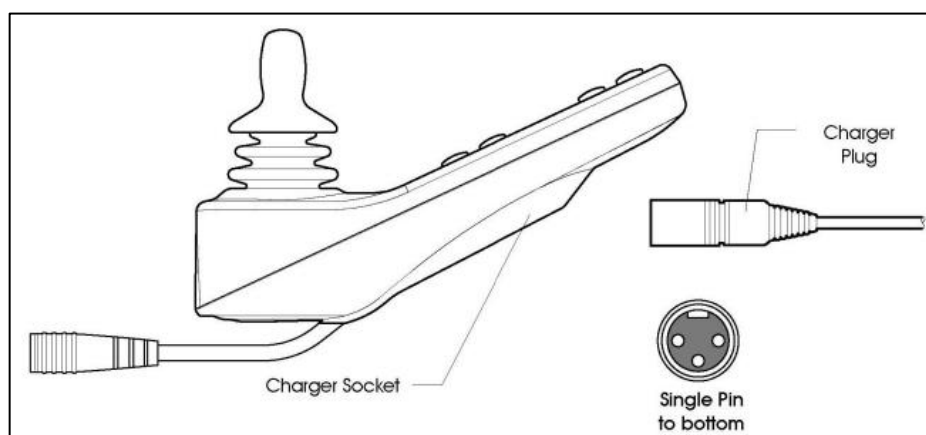
Depending on the model and configuration, your power wheelchair is equipped with either an internal or external charger.

10.4.1. Charging process with internal charger

1. Insert the mains plug from the charger into the socket.
2. The charging process starts automatically.
3. Unplug the charger from the mains socket to end the charging process.

10.4.2. Charging process with external charger

1. Insert the mains plug from the charger into the socket.
2. Insert the charging plug into the charging socket on the control panel.
3. The charging process starts automatically.
4. Pull the charging plug out of the charging socket on the control panel to end the charging process.
5. Unplug the charger from the mains socket to end the charging process.

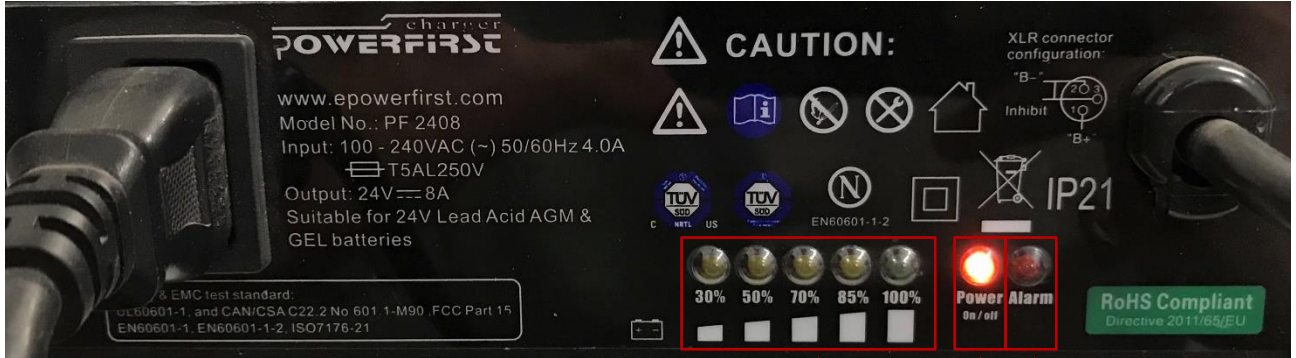


i	NOTE
	Drive lock
During the charging process, the drive lock of the power wheelchair is activated and cannot be used.	

i	NOTE
	Plug
Never only disconnect the charging cable from the charging socket on the wheelchair control unit, but always also from the mains socket.	

10.5. Charger

Depending on the model and configuration, your power wheelchair is equipped with either an internal or external charger. For more detailed information on the mains connection, power supply, etc., please refer to the technical data.



1	Battery status / charging progress
2	Power On/Off: Lights up when the charger is connected to the mains and the power supply is OK.
3	Alarm: Dark: No alarm present -> ok Continuous lighting: Battery voltage too low. Flashing: Battery polarity incorrect.

	WARNING
	Charger
<p>Only ever use the integrated/provided charger. The charger must not come into contact with water or similar liquids. Under no circumstances should the power wheelchair be sprayed with water. Faulty/defective cables and housings must be replaced immediately by specialised personnel.</p>	


11. Brakes

The motors of the power wheelchair are equipped with automatic magnetic brakes that prevent the power wheelchair from rolling away. This brake can be released manually if it is necessary to move/push the wheelchair manually.

12. Transport


12.1. Holding points


Use the transport handles for transporting and lifting. The exact positions of the transport handles can be found in the respective product information.

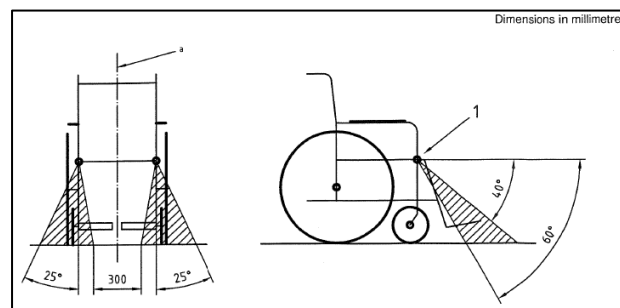
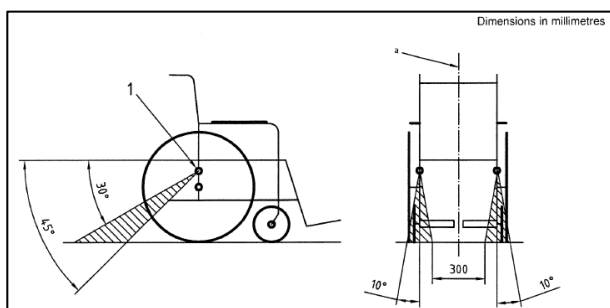
	CAUTION
	Damage
<p>Due to the heavy weight, it is recommended to use belts for mechanical lifting. Pay attention to the weight distribution. Avoid lifting the wheelchair by attachments such as armrests or footrests. Be careful about the increased risk of pinching.</p>	

12.2. Securing the wheelchair


1. Switch off the wheelchair.
2. Unlock the brakes manually (see product information).
3. Position the wheelchair in the vehicle.
4. Lock the brakes manually (see product information).
5. Secure the wheelchair using the transport handles (see product information) with lashing straps.

	WARNING
	Transport handles
<p>The transport handles are only used to secure the power wheelchair to the vehicle! Passengers travelling in the vehicle must be secured using separate passenger restraint systems!</p>	

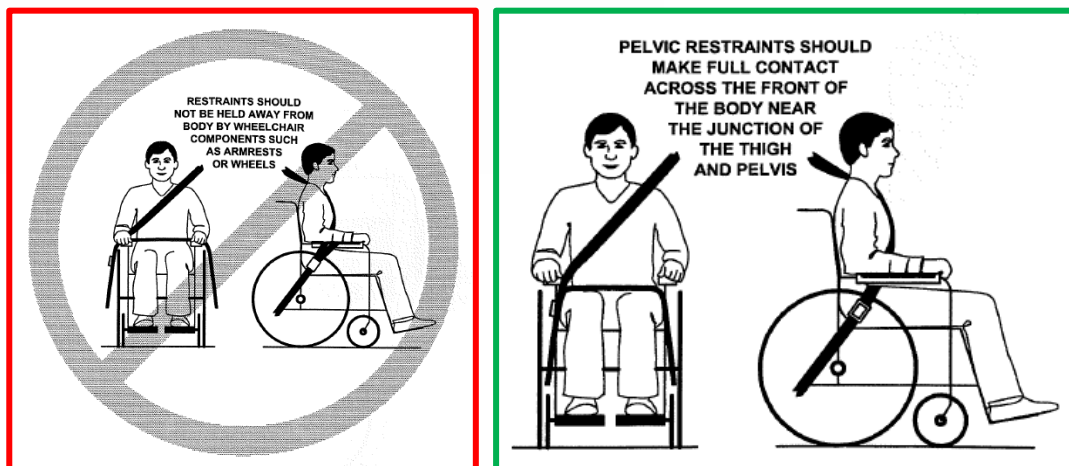
	CAUTION
	Damage
<p>When securing the wheelchair, take care to avoid collisions with attachments. It may be necessary to remove components (e.g. leg rest).</p>	




12.3. Securing persons

	WARNING
	Use as a seat in a vehicle
Information on the use of your power wheelchair as a seat in a vehicle and information on the crash test in accordance with the German Road Traffic Act. ISO7176-19, please refer to the chapter "Product information".	

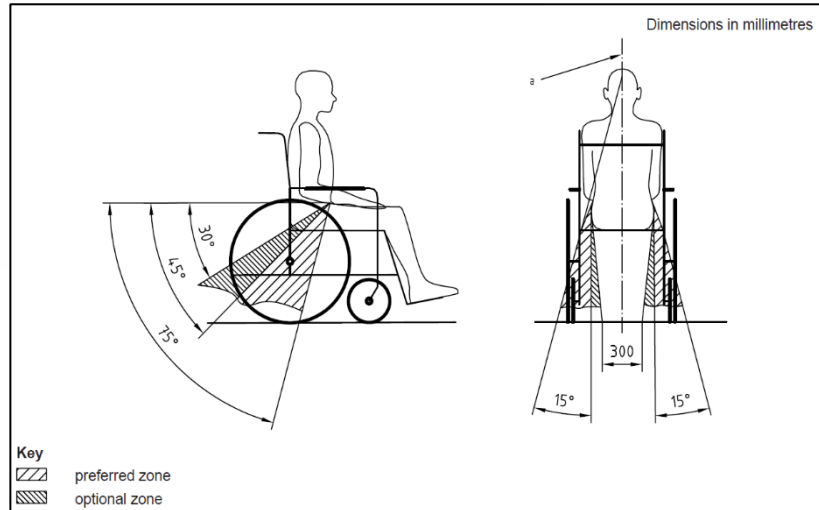
12.3.1. General



	WARNING
	Restraint device
<ul style="list-style-type: none"> • Use a separate 3-point restraint to secure the user. • Be sure to secure both pelvis and upper body. • The belts in the car must be fitted in the designated/suitable positions in the car. • Use a suitable headrest that is designed for car transport. • Only use the restraint belts intended for the person. • Pads and other positioning elements are not sufficient as a personal restraint system. • Positioning elements should be in full contact with the body when seated. • The upper body belt should be routed over the centre of the shoulders and chest. • The straps should fit snugly around the user without compromising their comfort. • The belts should not be twisted. • The belt buckle must be positioned in such a way that it cannot be unintentionally released during the journey or in the event of an accident. • Belt restraints must not be held away from the body by wheelchair components. 	

12.3.2. Seat belt positioning using 4-point harness system

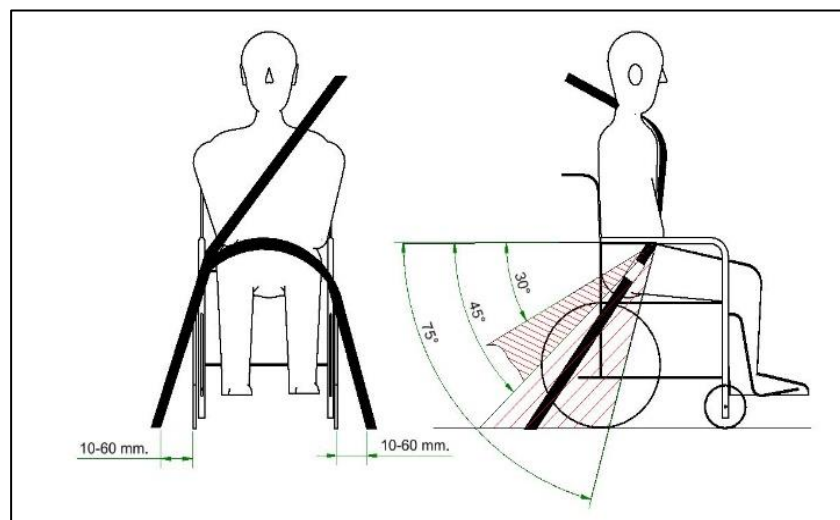
The lap belt should run low across the front of the pelvis, creating an angle that falls within the preferred or optional range of 30° to 75°, as shown in the illustration. A larger angle within the preferred range of 45° to 75° is desirable, but never more than 75°.



12.3.3. Positioning the seat belt using the Dahl docking system


If a wheelchair is secured with a Dahl docking system, the floor anchorage points for the safety belt should be positioned 10 to 60 mm on the outside of the wheelchair wheels.

The lap belt should run low across the front of the pelvis, creating an angle that falls within the preferred or optional range of 30° to 75°, as shown in the illustration. A larger angle within the preferred range of 45° to 75° is desirable, but never more than 75°.




13. Settings

All models listed in these operating instructions are supplied to the user fully assembled and customised by SKS Rehab AG and/or the specialist dealer.

	WARNING
	Settings
Settings and adjustments may only be carried out by trained specialist personnel and specialist dealers.	

14. Cleaning

	WARNING
	Electrical components
Electronic components and cables must not come into contact with water.	

Switch off the wheelchair for cleaning.

14.1. Cleaning

Follow the instructions of the detergent and disinfectant manufacturer. If necessary, use appropriate protective clothing, such as gowns, safety glasses and gloves.

Heavy dirt on the medical device must be removed immediately after use. Frame parts and panels can be cleaned with a damp cloth. For stubborn stains, you can use a mild household detergent. Be sure to clean all surfaces of the product thoroughly. Detergent residues can then be removed with a damp cloth.

Upholstery parts can be hand washed at 30 °C with a mild household washing detergent. Rinse thoroughly afterwards and allow the cushions to air dry.

Then check that all dirt and deposits have been completely removed.

Do not use abrasive cleaners, corrosive substances, acids or bleach. Cleaning agents based on chlorine, acetone or benzene must not be used.

Do not use pressure washers or steam cleaners.

14.2. Disinfection

Observe the concentration and exposure times of the disinfectant manufacturer. The product is suitable for spray and wipe disinfection using common household disinfectants. All surfaces must be wiped with a clean cloth moistened with disinfectant. Wet the product evenly with disinfectant. Do not rinse the disinfectant off, and allow the product to air dry. Afterwards, check the product for cleanliness and damage.

Use a VAH-listed disinfectant, for example Bacillol AF from Paul Hartmann AG (www.hartmann.de).

15. Service/maintenance


Your wheelchair is a sturdy transportation device designed for everyday use. Nevertheless, minor, regular maintenance work is unavoidable. Carry out the work in the following list regularly; your wheelchair will thank you with reliability and longer life. Once a year, your wheelchair must be inspected by your specialist dealer.

Activity		Weekly	Monthly	Annually
Tyres	Check front and rear air pressure	●		
Tyres	Check fastening screws for tightness	●		
Tyres	Check castors for rotation		●	
Chassis	Check screws for tightness		●	
Chassis	Check attachment and function of anti-tipping wheels	●		
Suspension	Check function		●	
Seat unit	Check all elements for tight fit		●	
Seat unit	Functional testing of mechanical and electrical seat adjustments		●	
Driving	Check handling		●	
Brakes	Check motor brakes. Is the chair braked when it is stationary?	●		
Brakes	Check brake release	●		
Lights	Check the function of the lights, indicators and hazard warning lights	●		
Electrics	Check cables and plugs for insulation damage		●	
Batteries	Capacity test			●

For safety reasons, inspection/maintenance must be performed once a year by a designated specialist dealer in accordance with the SKS Rehab maintenance protocol.

This is available [SKS Rehab | Customer Service | Downloads \(sks-rehab.com\)](https://www.sks-rehab.com).

16. Troubleshooting

	WARNING
	<p>Serious faults</p> <p>If there are serious faults with the power wheelchair that affect its safety, stop using the chair immediately.</p>

For faults that are shown on the display, you will find a selection of the most common errors and their meaning under "Error messages".

If you are unable to identify the fault, your specialist dealer or customer service centre will be happy to help you.

17. Warranty

Only defects that can be proven to be due to material or manufacturing defects are covered by the warranty. Batteries, tires and seat cushions are subject to normal wear / consumption during use and are not covered by the warranty!

The warranty will become void in the following cases:

- Failure to observe the operating instructions
- Improperly performed repairs
- Technical modifications
- Additions and attachment of non-approved parts
- Improper handling

The wheelchair has a 2-year warranty on the frame parts as well as on the attachments.

18. Reuse

The power wheelchairs of SKS-Rehab AG are designed for reuse. When passing the wheelchair on to a new user, please remember to hand over all the technical documentation necessary for safe handling to the new user. The wheelchair must be given to an authorised specialist dealer to be cleaned, disinfected if necessary, and completely checked and adjusted.

19. Waste disposal

If your wheelchair has reached the end of its service life and can no longer be repaired, then the vehicle must be disposed of properly. Disposal must be carried out in accordance with local legal requirements and regulations. In particular, batteries and electronics are considered hazardous waste. Contact your specialist dealer for disposal.



We have been active in the rehabilitation market for over 50 years, constantly Exchange within a network of customers, specialist retailers, therapists and doctors. Important impulses that help our team move forward.

Speaking of the team: We are a motley crew with a lot of ideas and expertise. Together: a great deal of experience and understanding, technical expertise and solid craftsmanship. An intensive exchange combined with the The will to optimise products makes the difference. It describes our manufacturing mindset, which is reflected in the quality of our products. And in the many small detailed solutions.

MOBILE EVERYWHERE – INDOORS AND OUTDOORS
COMPACT EXTERNAL DIMENSIONS – GETS THROUGH EVERYWHERE
MODULAR DESIGN – EVERYONE IS DIFFERENT
SUPER DRIVING CHARACTERISTICS – MANOEUVRABLE AND FAST
COMFORTABLE – ERGONOMIC DESIGN

Our products are
CE certified.



SKS REHAB AG
Im Wyden
CH-8762 Schwanden
sks@sk-rehab.ch
+41 55 647 35 85

SKS REHAB AG
Hermann-Kolb-Strasse 35b
D-90475 Nürnberg
service-de@sk-rehab.com
+49 911 988 12 112